

MODEL RMP30A

"Sakae"

● Conductive Plastic ● RoHS Compliant

● Standard Dimensions



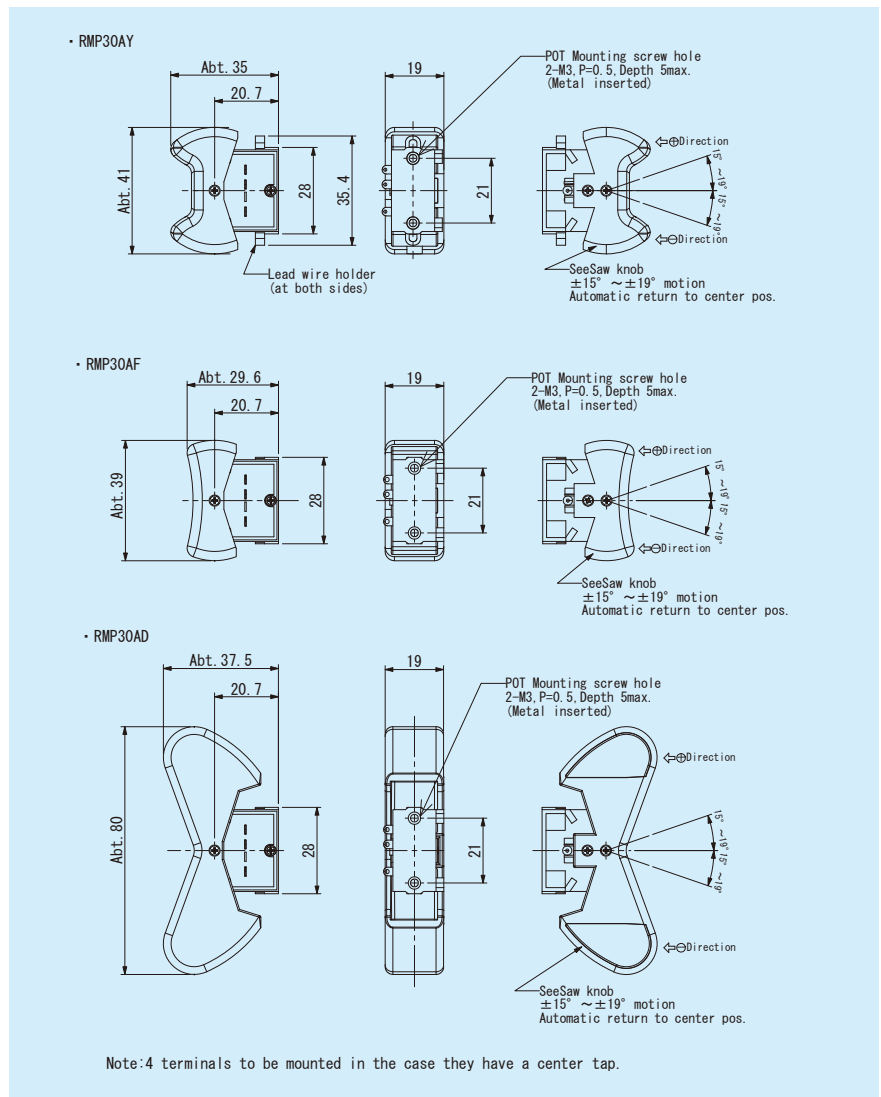
RMP30AY with our standard knob



RMP30AF with flat shaped knob



RMP30AD with outstretched knob



Seesaw motion ▶ Conductive plastic

● General Specifications · Environmental Specifications (Conductive plastic type)

Standard Resistance Value	10k (Ω)
Special Practical Resistance Values	1k, 2k, 5k, 20k (Ω)
Total Resistance Tolerance	±15%
Independent Linearity Tolerance	±3%
Output smoothness	Within 0.2% against input voltage
Contact Resistance Variation	Within 5% C.R.V.
Power Rating	0.1W
Electrical Travel	30° ±5°
Operating Angle Range	±15° ~ ±19° from center position
Center Returning Accuracy	50%±3%

Insulation Resistance	Over 1,000MΩ at 500V.D.C.
Dielectric Strength	1 minute at 500V.A.C.
Operating Force	Approx. 24mN · m ~ 30mN · m (D type knob: Approx. 49mN · m ~ 60mN · m)
Mass	Approx. 20g
Resistance Temperature Coefficient	±400p.p.m/°C
Operating Temperature Range	-20°C ~ +60°C
Vibration	10~55Hz 98m/s ²
Shock	294m/s ²
Protection Grade (IP)	Standard IP 40, Special IP54
Life Expectancy	Approx. 2,000,000 operations

● Special Specifications Available

(In the case of the potentiometer with special specifications, the general specifications and environmental specifications may change. Please consult us in advance.)

- Extra tap (Available up to 1 tap)
- Heavier operating force (not available for D type knob)
- Simple sealed housing