

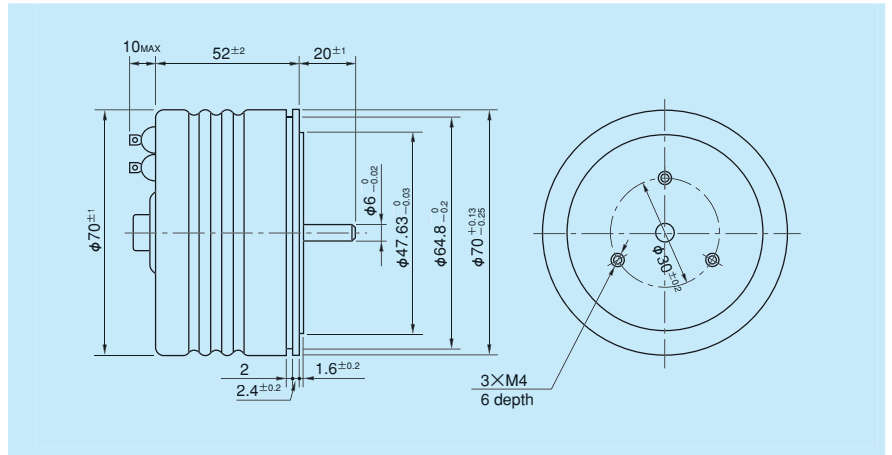
MODEL OFCP50

- Wirewound
- Servomount
- RoHS Compliant

● Standard Dimensions



Model OFCP50



Oil-filled ▶ Contact type ▶ Wirewound

● General Specifications

Standard Resistance Range	1k,2k,5k,10k,20k,50k Ω
Total Resistance Tolerance	Standard Class ±3% (H) Precision Class ±1% (F)
Independent Linearity Tolerance	Standard Class ±0.5% Precision Class ±0.1% (±0.2% in case of within 2kΩ)
Power Rating	1.5W
Noise	Within 100Ω E.N.R.

Electrical Travel	355° ±3°
Mechanical Travel	360° (Endless)
Insulation Resistance	Over 100MΩ at 1,000V.D.C.
Dielectric Strength	1 minute at 1,000V.A.C.
Starting Torque	Within 30mN · m (300gf · cm)
Resistance Temperature Coefficient	±20p.p.m./°C
Mass	Approx. 500g

● Standard Resistance Values ■ No. of Wire Turns ■ Resistance Wire Used

Resist. Value (Ω)	1k	2k	5k	10k	20k	50k
No. of Wire Turns	1,000	1,250	1,810	2,180	2,780	3,500
Resist. Wire Used	Ni-Cr					

● Special Specifications Available

(In the case of the potentiometer with special specifications, the general specifications and environmental specifications may change. Please consult us in advance.)

- Special lower practical resistance values (50Ω to 500Ω)
- Extra taps (Available up to 3 taps)
- With stopper (Rotating angle is 330° and the stopper strength is 0.9N · m [9kgf · cm])
- Special electrical travel
- Shaft dia. (φ 6.35mm) with inch dimension
- Special machining on the shaft
- Shaft with front and rear extension (Rear shaft with 6mm dia. and 20mm length)