

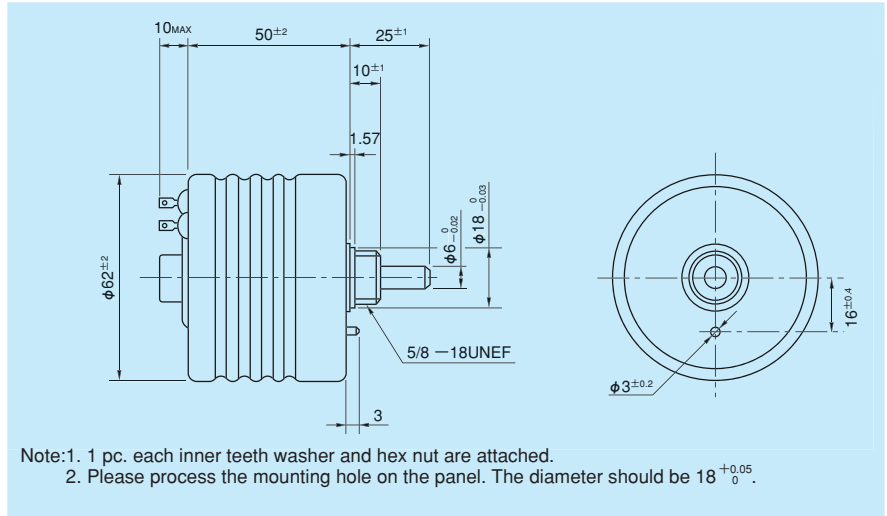
# MODEL OF50PB

● Wirewound ● Bushingmount ● RoHS Compliant

## ● Standard Dimensions



Model OF50PB



## ● General Specifications

Standard Resistance Range	100,200,500,1k,2k,5k,10k,20k $\Omega$
Max. Practical Resistance Value	50k $\Omega$
Total Resistance Tolerance	Standard Class $\pm$ 10% (K) Precision Class $\pm$ 5% (J)
Independent Linearity Tolerance	Standard Class $\pm$ 1.0% Precision Class $\pm$ 0.5%
Power Rating	5.0W
Noise	Within 100 $\Omega$ E.N.R.

Electrical Travel	280° $\pm$ 5°
Mechanical Travel	300° $\pm$ 5°
Insulation Resistance	Over 100M $\Omega$ at 1,000V.D.C.
Dielectric Strength	1 minute at 1,000V.A.C.
Starting Torque	Within 30mN $\cdot$ m (300gf $\cdot$ cm)
Stopper Strength	Approx. 0.9N $\cdot$ m (9kgf $\cdot$ cm)
Resistance Temperature Coefficient	$\pm$ 20p.p.m./°C
Mass	Approx. 330g

## ● Standard Resistance Values ■ No. of Wire Turns ■ Resistance Wire Used

Resist. Value ( $\Omega$ )	100	200	500	1k	2k	5k	10k	20k	※ 50k
No. of Wire Turns	260	320	370	420	550	650	900	1,000	1,200
Resist. Wire Used	Cu-Ni					Ni-Cr			

Note: Mark ※ shows special high resistance value.

## ● Special Specifications Available

(In the case of the potentiometer with special specifications, the general specifications and environmental specifications may change. Please consult us in advance.)

- Extra tap (Available up to 1 tap)    ● Multi-ganged (Available up to 2 gangs)    ● Special electrical travel
- Shaft dia. ( $\phi$  6.35mm) & bushing with inch dimension    ● Special machining on the shaft
- Without stopper (electrical travel remains 280°  $\pm$  5° )
- Shaft with front and rear extension (Rear shaft with 6mm dia. and 25mm length)    ● Lower resistance (50  $\Omega$ )