

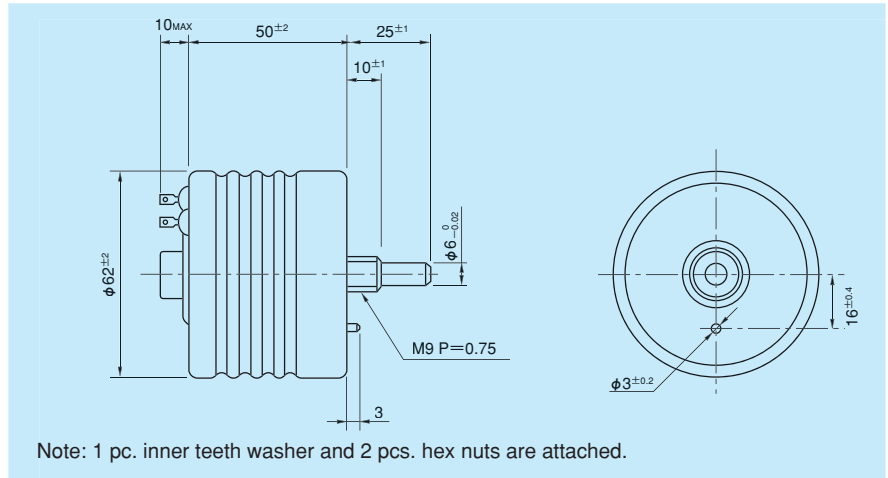
MODEL OF50

● Wirewound ● Bushingmount ● RoHS Compliant

● Standard Dimensions



Model OF50



● General Specifications

Standard Resistance Range	100,200,500,1k,2k,5k,10k,20k Ω
Max. Practical Resistance	50k Ω
Total Resistance Tolerance	Standard Class $\pm 10\%$ (K) Precision Class $\pm 5\%$ (J)
Independent Linearity Tolerance	Standard Class $\pm 1.0\%$ Precision Class $\pm 0.5\%$
Power Rating	5.0W
Noise	Within 100 Ω E.N.R.

Electrical Travel	280° $\pm 5^\circ$
Mechanical Travel	300° $\pm 5^\circ$
Insulation Resistance	Over 100M Ω at 1,000V.D.C.
Dielectric Strength	1 minute at 1,000V.A.C.
Starting Torque	Within 30mN · m (300gf · cm)
Stopper Strength	Approx. 0.9N · m (9kgf · cm)
Resistance Temperature Coefficient	± 20 p.p.m./ $^\circ\text{C}$
Mass	Approx. 300g

● Standard Resistance Values ■ No. of Wire Turns ■ Resistance Wire Used

Resist. Value (Ω)	100	200	500	1k	2k	5k	10k	20k	※ 50k
No. of Wire Turns	260	320	370	420	550	650	900	1,000	1,200
Resist. Wire Used	Cu-Ni					Ni-Cr			

Note: Mark ※ shows special high resistance value.

● Special Specifications Available

(In the case of the potentiometer with special specifications, the general specifications and environmental specifications may change. Please consult us in advance.)

- Extra tap (Available up to 1 tap)
- Multi-ganged (Available up to 2 gangs. Please note that mounting method is changed from bushingmount to screw-mounting)
- Special electrical travel ● Shaft dia. ($\phi 6.35$ mm) & bushing with inch dimension
- Special machining on the shaft ● Without stopper (electrical travel remains 280° $\pm 5^\circ$)
- Shaft with front and rear extension (Rear shaft with 6mm dia. and 25mm length) ● Lower resistance (50 Ω)