

MODEL HSCB22

- Hall effect IC
- Servomount
- RoHS Compliant

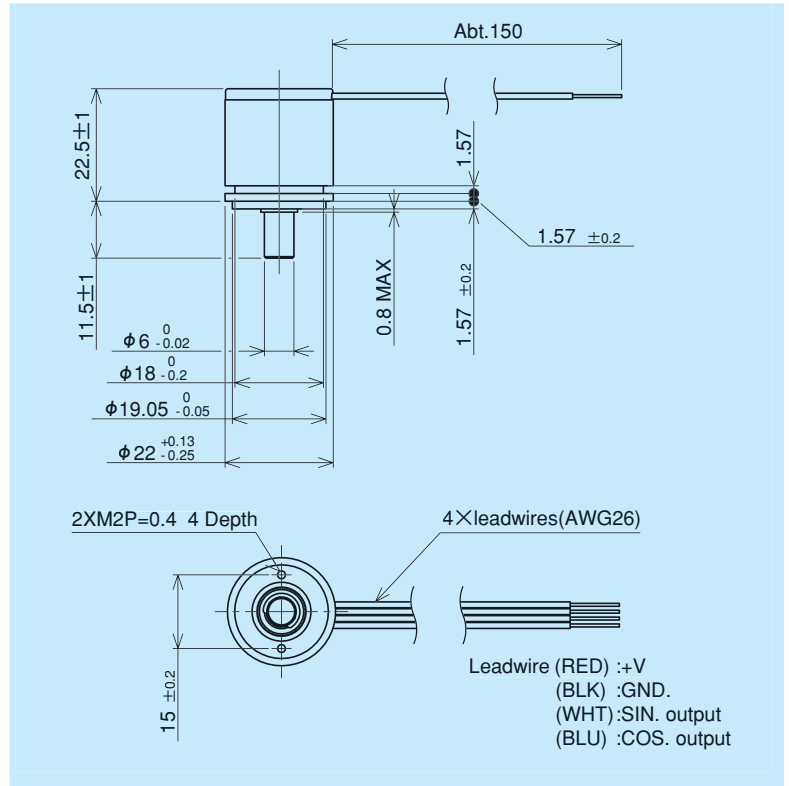


Model HSCB22

General Specifications

| | |
|------------------------------------|---------------------|
| Current Consumption | Approx. 15mA |
| Mechanical Rotating Angle | 360° (Endless) |
| Electrical Rotating Angle | 360° (Endless) |
| Conformity | ±0.8%FS |
| Applied Voltage | 5V±10%D.C. |
| Load Resistance | 10kΩmin |
| Output voltage Range | Approx. 10%~90%Vin |
| Output Temperature Characteristics | Within ±1.0%Vout/FS |
| Operating Temperature Range | -40°C~+105°C |
| Storage Temperature Range | -50°C~+105°C |
| Mass | Approx. 30g |
| Rotating Torque | Within 0.5mN·m |

Standard Dimensions



Environmental Specifications

| | |
|------------------------------|--|
| Thermal Shock | 5 cycles - 50°C ~ + 105°C |
| Exposure at Low Temperature | 24 hours at - 50°C |
| Exposure at High Temperature | 1,000 hours at + 105°C |
| Vibration | 10 to 2,000Hz 196m/s ² |
| Shock | 980m/s ² 6ms |
| Rotational Life Expectancy | Approx. 100,000,000 shaft revolutions |
| EMC Tolerance | 100V/m(80MHz ~ 1GHz 1kHz 80% Amplitude Modulation) |
| ESD Tolerance | ± 8kV contact discharge/ ± 15kV air discharge (Based on IEC 61000-4-2) |

(Note) Rotational Life Expectancy may differ from the specifications depending on status of use.

Output Characteristics

