

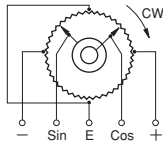
MODEL FSCB50A

- Conductive Plastic
- Servomount
- RoHS Compliant

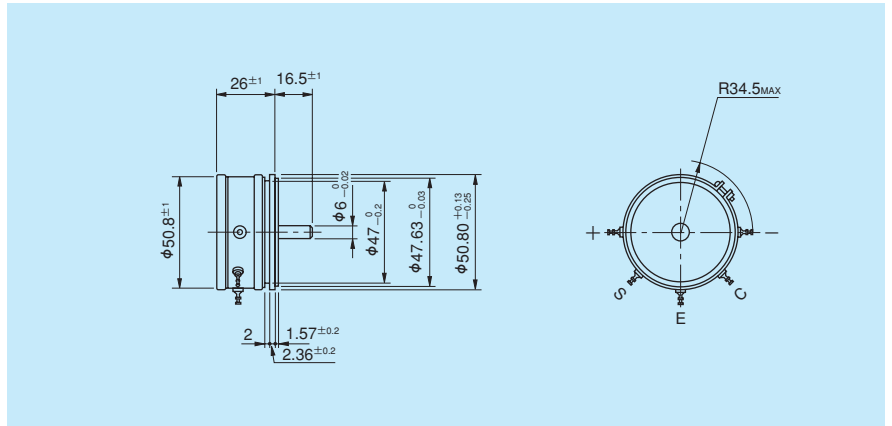


Model FSCB50A

● Terminal Connection Diagram



● Standard Dimensions



● General Specifications

Standard Resistance Values	1k, 2k, 5k, 10k (Ω)
Special Higher Practical Resistance Values	20k, 50k, 100k (Ω)
Total Resistance Tolerance	Standard Class $\pm 15\%$ (L) Precision Class $\pm 10\%$ (K)
Conformity Tolerance (Peak-Peak)	Standard Class $\pm 0.5\%$ Precision Class $\pm 0.3\%$ Super Precision Class $\pm 0.2\%$
Resolution	Essentially infinite
Output Smoothness	Within 0.1% against input voltage

Contact Resistance Variation	Within 8% C.R.V.
Power Rating	1.25W
Electrical Travel	360° (Endless)
Mechanical Travel	360° (Endless)
Insulation Resistance	Over 1,000M Ω at 1,000V.D.C.
Dielectric Strength	1 minute at 1,000V.A.C.
Starting Torque	Within 5mN · m (50gf · cm)
Resist. Temperature Coefficient	± 400 p.p.m./ $^{\circ}$ C
Mass	Approx. 120g

● Special Specifications Available

(In the case of the potentiometer with special specifications, the general specifications and environmental specifications may change. Please consult us in advance.)

- Multi-ganged (Available up to 3 gangs. Housing length is extended by 17mm per 1 gang)
- Shaft with front and rear extension (Rear shaft with 6mm dia. and 15mm length)
- Shaft dia. ($\phi 6.35$ mm) with inch dimension
- Bushingmount type
- Special machining on the shaft

Non-linear Contact type Conductive plastic