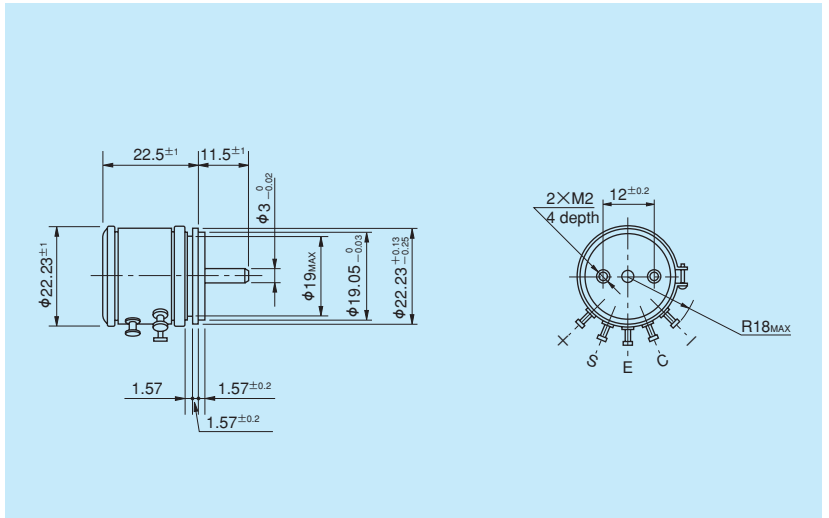


# MODEL FSCB22A

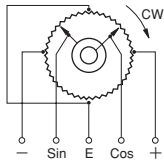
- Conductive Plastic
- Servomount
- RoHS Compliant

## ● Standard Dimensions



Model FSCB22A

## ● Terminal Connection Diagram



## ● General Specifications

<b>Standard Resistance Values</b>	1k, 2k, 5k, 10k (Ω)
<b>Special Practical Resistance Values</b>	500, 20k, 50k (Ω)
<b>Total Resistance Tolerance</b>	Standard Class ±15% (L) Precision Class ±10% (K)
<b>Conformity Tolerance (Peak-Peak)</b>	Standard Class ±2.0% Precision Class ±1.0%
<b>Resolution</b>	Essentially infinite
<b>Output Smoothness</b>	Within 0.1% against input voltage
<b>Contact Resistance Variation</b>	Within 8% C.R.V.

<b>Power Rating</b>	0.5W
<b>Electrical Travel</b>	360° (Endless)
<b>Mechanical Travel</b>	360° (Endless)
<b>Insulation Resistance</b>	Over 1,000MΩ at 500V.D.C.
<b>Dielectric Strength</b>	1 minute at 500V.A.C.
<b>Starting Torque</b>	Within 3mN · m (30gf · cm)
<b>Resistance Temperature Coefficient</b>	±400p.p.m./°C
<b>Mass</b>	Approx. 20g

## ● Special Specifications Available

(In the case of the potentiometer with special specifications, the general specifications and environmental specifications may change. Please consult us in advance.)

- Multi-ganged (Available up to 6 gangs. Housing length is extended by 16mm per 1 gang)
- Shaft with front and rear extension (Rear shaft with 3mm dia. and 10mm length)
- Shaft dia. (φ3.175mm) with inch dimension
- Special machining on the shaft