

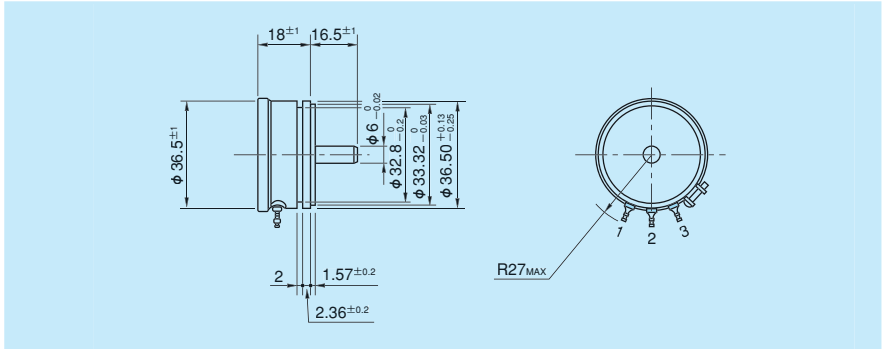
MODEL FCP40A

● Conductive Plastic ● Servomount ● RoHS Compliant

● Standard Dimensions



Model FCP40A



1-Turn ▶ Contact type ▶ Conductive plastic

● General Specifications

Standard Resistance Values	1k, 2k, 5k, 10k (Ω)
Special Practical Resistance Values	500, 20k, 50k, 100k, 200k (Ω)
Total Resistance Tolerance	Standard Class ±10% (K)
Independent Linearity Tolerance	Standard Class ±0.5% Precision Class ±0.25% Super Precision Class ±0.1%
Resolution	Essentially infinite
Output Smoothness	Within 0.1% against input voltage

Contact Resistance Variation	Within 2% C.R.V.
Power Rating	2.0W
Electrical Travel	340° ±5°
Mechanical Travel	360° (Endless)
Insulation Resistance	Over 1,000MΩ at 1,000V.D.C.
Dielectric Strength	1 minute at 1,000V.A.C.
Starting Torque	Within 3mN · m (30gf · cm)
Resistance Temperature Coefficient	±400p.p.m./°C
Mass	Approx. 60g

● Special Specifications Available

(In the case of the potentiometer with special specifications, the general specifications and environmental specifications may change. Please consult us in advance.)

- Extra tap (Available up to 3 taps) ● Multi-ganged (Available up to 7 gangs, Housing length is extended by 12mm per 1 gang)
- Shaft with front and rear extension (Rear shaft with 6mm dia. and 15mm length)
- With stopper (Rotating angle is 320° and stopper strength is 0.9N · m [9kgf · cm]) ● Special electrical travel
- Shaft dia. (φ 6.35mm) with inch dimension ● Special machining on the shaft