

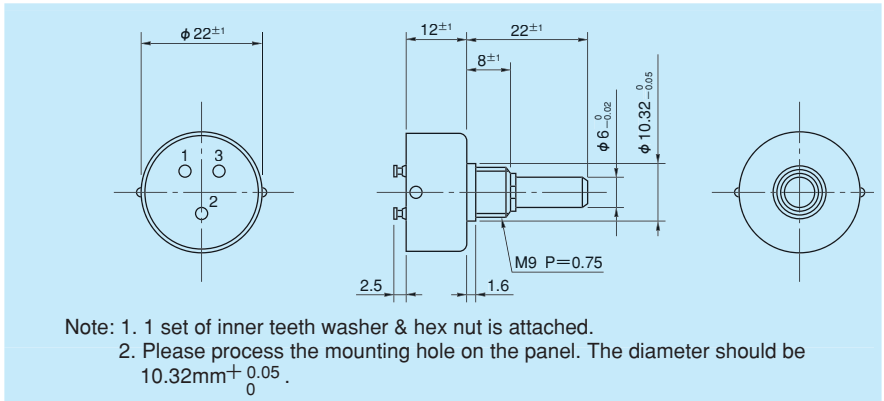
MODEL FCP22AC

- Conductive Plastic
- Bushingmount
- Low-cost Item
- RoHS Compliant

● Standard Dimensions



Model FCP22AC
(Metal Housing)



● General Specifications

| | |
|--|---|
| Standard Resistance Values | 1k, 2k, 5k, 10k (Ω) |
| Special Practical Resistance Values | 500, 20k, 50k, 100k (Ω) |
| Total Resistance Tolerance | Standard Class $\pm 15\%$ (L) Precision Class $\pm 10\%$ (K) |
| Independent Linearity Tolerance | Standard Class $\pm 1.5\%$ Precision Class $\pm 1.0\%$ |
| Resolution | Essentially infinite |
| Output Smoothness | Within 0.1% against input voltage |

| | |
|---|---------------------------------------|
| Contact Resistance Variation | Within 2% C.R.V. |
| Power Rating | 1.0W |
| Electrical Travel | $320^\circ \pm 5^\circ$ |
| Mechanical Travel | 360° (Endless) |
| Insulation Resistance | Over 1,000M Ω at 500V.D.C. |
| Dielectric Strength | 1 minute at 500V.A.C. |
| Starting Torque | Within 5mN · m (50gf · cm) |
| Resistance Temperature Coefficient | $\pm 400\text{p.p.m./}^\circ\text{C}$ |
| Mass | Approx. 20g |

● Special Specifications Available

(In the case of the potentiometer with special specifications, the general specifications and environmental specifications may change. Please consult us in advance.)

- Extra tap (Available up to 1 tap)
- Shaft with front and rear extension (Rear shaft with 3mm dia. and 20mm length)
- With stopper (Rotating angle is 320° and stopper strength is 0.9N · m [9kgf · cm])
- Special electrical travel
- Shaft dia. ($\phi 6.35\text{mm}$) & bushing with inch dimension
- Special machining on the shaft