

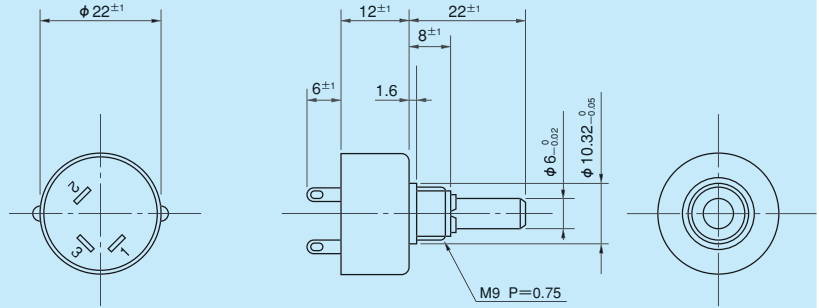
MODEL CP22C

- Wirewound
- Bushingmount
- Low-cost Item
- RoHS Compliant

● Standard Dimensions



Model CP22C
(Metal Housing)



- Note: 1. 1 set of inner teeth washer & hex nut is attached.
2. Please process the mounting hole on the panel. The diameter should be $10.32\text{mm}^{+0.05}_0$.

1-Turn ▶ Contact type ▶ Wirewound

● General Specifications

Standard Resistance Range	50,100,200,500,1k,2k,5k,10k Ω
Max. Practical Resistance Value	20k Ω
Total Resistance Tolerance	Standard Class $\pm 3\%$ (H) Precision Class $\pm 1\%$ (F)
Independent Linearity Tolerance	Standard Class $\pm 0.5\%$ Precision Class $\pm 0.25\%$ ($\pm 0.35\%$ in case of within 1k Ω)
Power Rating	0.5W

Noise	Within 100 Ω E.N.R.
Electrical Travel	355° $\pm 5^\circ$
Mechanical Travel	360° (Endless)
Insulation Resistance	Over 1,000M Ω at 1,000V.D.C.
Dielectric Strength	1 minute at 1,000V.A.C.
Starting Torque	Within 5mN · m (50gf · cm)
Resistance Temperature Coefficient	$\pm 20\text{p.p.m./}^\circ\text{C}$
Mass	Approx. 23g

● Standard Resistance Values ■ No. of Wire Turns ■ Resistance Wire Used

Resist. Value (Ω)	50	100	200	500	1k	2k	5k	10k	※ 20k
No. of Wire Turns	300	370	470	450	570	740	1,000	1,270	1,670
Resist. Wire Used	Cu-Ni			Ni-Cr					

Note: Mark ※ shows special high resistance value.

● Special Specifications Available

(In the case of the potentiometer with special specifications, the general specifications and environmental specifications may change. Please consult us in advance.)

- Lower resistance values (10 Ω , 20 Ω) ● Extra tap (Available up to 1 tap)
- Shaft with front and rear extension (Rear shaft with 3mm dia. and 20mm length)
- With stopper (Rotating angle is 320° and stopper strength is 0.9N · m [9kgf · cm]) ● Special electrical travel
- Shaft dia. ($\phi 6.35\text{mm}$) & bushing with inch dimension ● Special machining on the shaft