

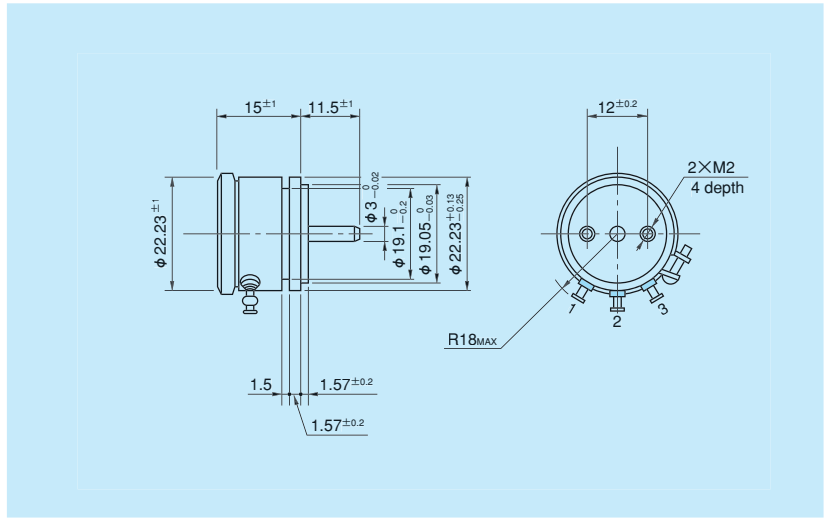
MODEL CP22

● Wirewound ● Servomount ● RoHS Compliant

● Standard Dimensions



Model CP22



1-Turn ▶ Contact type ▶ Wirewound

● General Specifications

Standard Resistance Range	50,100,200,500,1k,2k,5k,10k Ω
Max. Practical Resistance Value	20kΩ
Total Resistance Tolerance	Standard Class ±3%(H) Precision Class ±1%(F)
Independent Linearity Tolerance	Standard Class ±0.5% Precision Class ±0.2% (±0.3% in case of within 1kΩ)
Power Rating	0.5W

Noise	Within 100Ω E.N.R.
Electrical Travel	355° ±5°
Mechanical Travel	360° (Endless)
Insulation Resistance	Over 1,000MΩ at 1,000V.D.C.
Dielectric Strength	1 minute at 1,000V.A.C.
Starting Torque	Within 1.5mN · m (15gf · cm)
Resistance Temperature Coefficient	±20p.p.m./°C
Mass	Approx. 15g

● Standard Resistance Values ■ No. of Wire Turns ■ Resistance Wire Used

Resist. Value (Ω)	50	100	200	500	1k	2k	5k	10k	※ 20k
No. of Wire Turns	300	370	470	450	570	740	1,000	1,270	1,670
Resist. Wire Used	Cu-Ni			Ni-Cr					

Note: Mark ※ shows special high resistance value.

● Special Specifications Available

(In the case of the potentiometer with special specifications, the general specifications and environmental specifications may change. Please consult us in advance.)

- Lower resistance values (10Ω, 20Ω) ● Extra taps (Available up to 2 taps)
- Multi-ganged (Available up to 5 gangs. Housing length is extended by 8.5mm per gang)
- Shaft with front and rear extension (Rear shaft with 3mm dia. and 10mm length)
- With stopper (Rotating angle is 330° and stopper strength is 0.3N · m [3kgf · cm]) ● Special electrical travel
- Shaft dia. (φ 3.175mm) with inch dimension ● Special machining on the shaft