

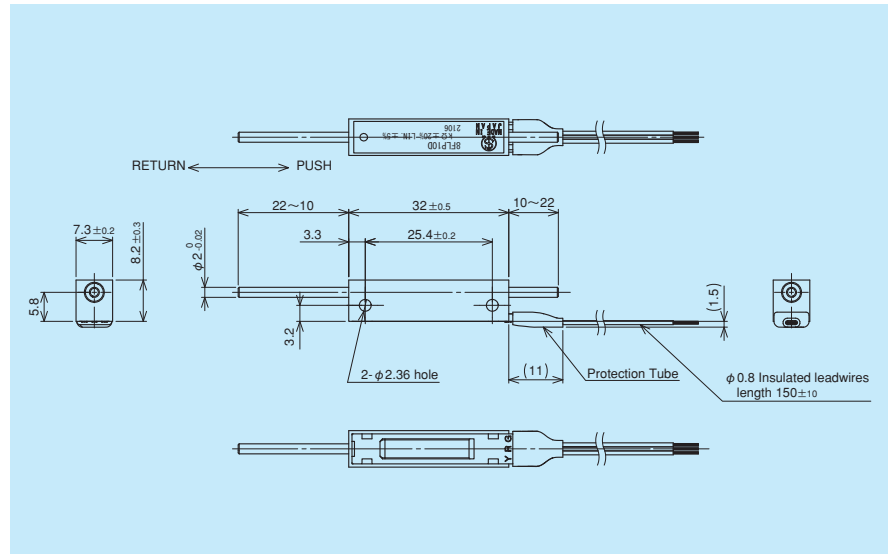
# MODEL 8FLP10D

- Conductive Plastic
- With front and rear extended shaft
- Low-cost Item
- RoHS Compliant

## ● Standard Dimensions



Model 8FLP10D



## ● General Specifications

<b>Standard Resistance Values</b>	1k, 2k, 5k, 10k (Ω)
<b>Total Resistance Tolerance</b>	Standard Class ±15% (L)
<b>Independent Linearity Tolerance</b>	Standard Class ±2.0%
<b>Resolution</b>	Essentially infinite
<b>Output Smoothness</b>	Within 0.2% against input voltage
<b>Contact Resistance Variation</b>	Within 6% C.R.V.

<b>Power Rating</b>	0.2W
<b>Electrical Stroke</b>	11±0.5mm
<b>Mechanical Stroke</b>	About 12mm
<b>Insulation Resistance</b>	Over 1,000MΩ at 500V.D.C.
<b>Dielectric Strength</b>	1 minute at 500V.A.C.
<b>Friction</b>	Within 3N (300gf)
<b>Stopper Strength</b>	Approx. 10N (1kgf)
<b>Resistance Temperature Coefficient</b>	±400p.p.m./°C
<b>Mass</b>	Approx. 5g (Includes wire harness)

## ● Special Specifications Available

- Special machining on the shaft

(In the case of the potentiometer with special specifications, the general specifications and environmental specifications may change. Please consult us in advance.)

## ● SPECIAL NOTE

Standard 8FLP10D includes spring return device. It is not possible to remove this spring return device.