

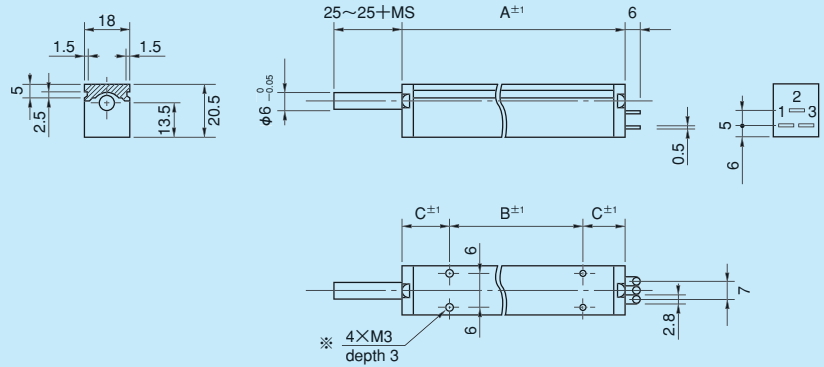
MODEL 18FLPA

- Conductive Plastic
- With front extended shaft
- RoHS Compliant

● Standard Dimensions



Model 18FLPA50



Note: ※ Please do not fasten the mounting screws over 3mm. in order to avoid damaging the inside resistive element.

Model No.	Mechanical Stroke (MS)	Dimensions		
		A	B	C
18FLPA15	15	50.0	25.0	12.5
18FLPA30	30	65.0	40.0	12.5
18FLPA50	50	85.0	50.0	17.5
18FLPA100	100	135.0	100.0	17.5

● Standard Model Numbers

Stroke	15mm	18FLPA15
Stroke	30mm	18FLPA30
Stroke	50mm	18FLPA50
Stroke	100mm	18FLPA100

● General Specifications

Model No.	18FLPA15	18FLPA30	18FLPA50	18FLPA100
Standard Resistance Values	500,1k,2k,5k,10k (Ω)	500,1k,2k,5k,10k (Ω)	500,1k,2k,5k,10k (Ω)	1k,2k,5k,10k,20k (Ω)
Total Resistance Tolerance	±10% (K)			
Independent Linearity Tolerance	Standard Class	±0.7%	±0.4%	±0.3%
	Precision Class	±0.5%	±0.25%	±0.2%
Resolution	Essentially Infinite			
Output Smoothness	Within 0.1% against input voltage			
Contact Resistance Variation	Within 2% C.R.V.			
Power Rating	0.3W	0.6W	0.75W	1.25W
Electrical Stroke	15±0.5mm	30±0.5mm	50±0.5mm	100±0.5mm
Mechanical Stroke (MS)	15 ⁺² ₀ mm	30 ⁺² ₀ mm	50 ⁺² ₀ mm	100 ⁺² ₀ mm
Insulation Resistance	Over 1,000MΩ at 1,000V.D.C.			
Dielectric Strength	1 minute at 1,000V.A.C.			
Friction	Within 0.3N (30gf)		Within 1N (100gf)	
Stopper Strength	Approx. 90N (9kgf)			
Resistance Temperature Coefficient	±400p.p.m./°C			
Mass	Approx. 60g	Approx. 70g	Approx. 100g	Approx. 140g

● Special Specifications Available

(In the case of the potentiometer with special specifications, the general specifications and environmental specifications may change. Please consult us in advance.)

- Stroke 150mm (S18FLPA150)
- Stroke 200mm (S18FLPA200)
- Sealed type (IP54, The length of "A" is extended by abt. 6mm.)
- With spring return device (up to 100mm stroke. Friction is 3N [300gf]. Spring return device is mounted on the outer shaft but the length of the shaft is the same as the standard.)
- Special machining on the shaft