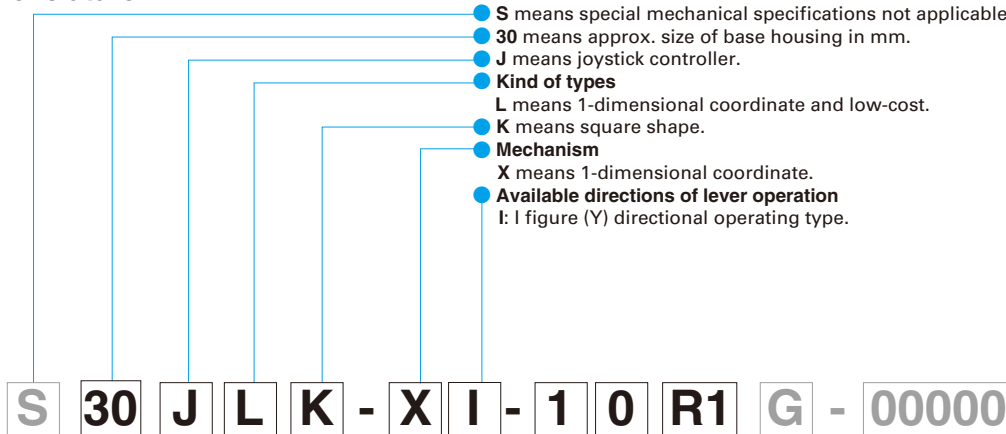


30JL

- Low-cost
- 1-dimensional coordinate
- With conductive plastic element

● Nomenclature



Number of potentiometers to be incorporated.

0...no potentiometer incorporated.

1...1 potentiometer incorporated.

Number of switches to be incorporated.

0...no switch incorporated.

1...1 switch incorporated.

2...2 switches incorporated.

With spring return device

R1 : with spring return device for 1-dimensional coordinate type.

(standard option)

Mounting accessories.

G : means with dust proof rubber cover.

R : means with round shaped knob.

H : means with flat shaped knob.

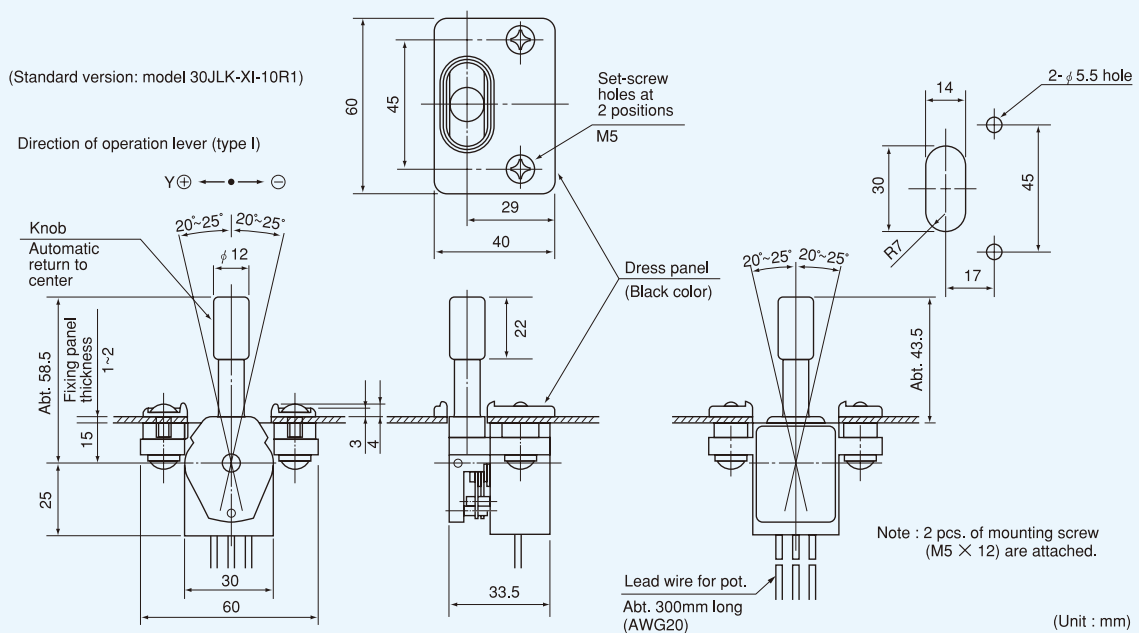
P : means with sub-panel for mounting.

Special part number :

In the case we produce customized products, we add 4 or 5-digit branch number.

● Standard Dimensions

■ Panel Arrangements





30JLK-XI-10R1
(Standard)



30JLK-XI-10R1R
(With round shaped knob)



30JLK-XI-10R1H
(With flat shaped knob)



30JLK-XI-10R1GR
(With dust proof rubber cover and round shaped knob)

STANDARD SPECIFICATIONS

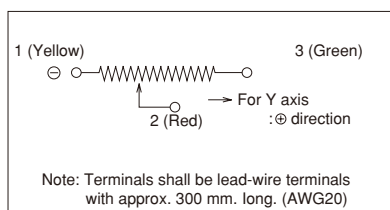
Mechanical Performance

Controlling range of operating lever	±20°~± 25° from center position.
Operating force	Standard spring return device : Automatically return to center. Standard... Approx. 1N~2.5N (Approx. 100gf~250gf). With rubber cover... Approx. 1N~5.5N (Approx. 100gf~550gf)
Operating temperature range	-20°C~+ 60°C
Vibration	10~55Hz 98m/s ²
Shock	294m/s ²
Life expectancy	Approx. 2,000,000 operations.
Mass	Approx. 100g

Electrical Performance

Potentiometer mounted	Special conductive plastic resistive element is exclusively used for 30JL series.
Total resistance value	10kΩ±20%
Independent linearity tolerance	±5%
Electrical rotating angle	Approx. 40°
Rated power	0.1W
Output smoothness	Below 0.2% against input voltage.
Contact resistance variation	Below 6% C.R.V.
Resolution	Essentially infinite
Dielectric strength	1 minute at 500V.A.C.
Insulation resistance	Over 1,000MΩ at 500V.D.C.

Terminal Connection Diagram



Special Specifications Available

Please see page 55, a table of "Special Specifications Available".

