

200FCW

● With conductive plastic element

● Nomenclature

S **200** **FCW** - **1** **0** **A** - **00000**

● **S**

S means special mechanical specifications not applicable to our standard.

● **200**

200 means approx. size of base housing in mm.

● **FCW**

FC means Foot Controller, W means see-saw pedal type.

● **Special part number :**

In the case we produce customized product, we add 4-digit or 5-digit branch number.

● **0 ① Number of switches to be incorporated (Option).**

0...No switch incorporated.

1...1 switch incorporated.

2...2 switches incorporated.

● **A ② Rating of switch :** A. B. C. ...Code-switch

D. E. F. ...Micro-switch

(For details, please refer to page 64)

G...Other switch

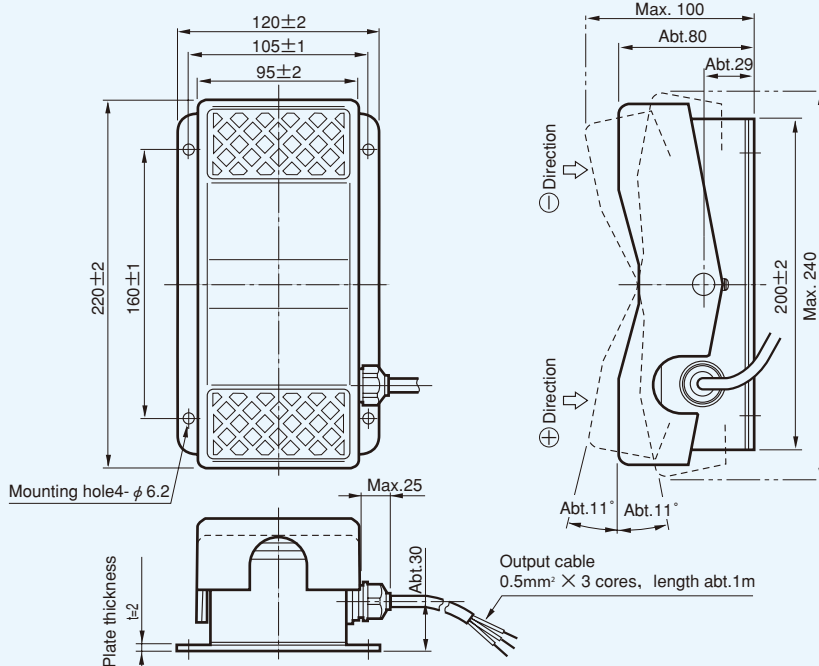
● **1 Number of potentiometers to be incorporated (model SFPC22E)**

0...No potentiometer incorporated.

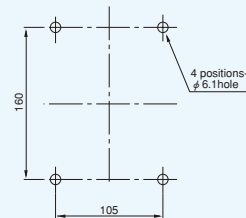
1...1 potentiometer incorporated.

2...2 potentiometers incorporated (Option).

● Standard Dimensions



■ Panel Arrangements





200FCW-10
(Standard)

STANDARD SPECIFICATIONS

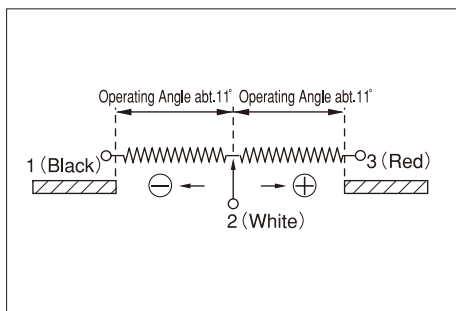
Mechanical Performance

Operating method	Stepping see-saw pedal type.
Operating angle	Approx. $\pm 11^\circ$
Operating force	Standard spring return device : Automatically return to center. Abt. 20N(Abt. 2,000gf.)
Operating temperature range	$-20^\circ\text{C} \sim +65^\circ\text{C}$
Vibration	10~55Hz 98m/s ²
Shock	294m/s ²
Life expectancy	Approx. 1,000,000 operations.
Mass	Approx. 1.5kg

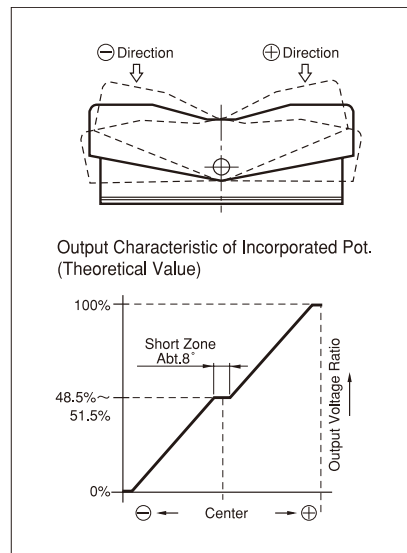
Electrical Performance

Potentiometer incorporated	SFCP22E, 10k Ω $\pm 20\%$, 0.35W, independent linearity tolerance $\pm 3\%$ (conductive plastic resistive element)
Electrical rotating angle	Approx. 75° Center shortened zone: With a shortened zone with abt. 8° in the center position
Center returning accuracy	50% $\pm 1.5\%$
Output smoothness	Below 0.2% against input voltage
Contact resistance variation	Below 5% C.R.V.
Resolution	Essentially infinite
Dielectric strength	1 minute at 500V A.C.
Insulation resistance	Over 1,000M Ω at 500V D.C.

Terminal Connection Diagram



Output Characteristics



Special Specifications Available

- **With switch incorporated:**
Regarding rating of switch, please see page 64.
If you require the pedal with one switch, unless specified, we supply the pedal with A version switch (code-switch with "ON" operation at about 3° from the beginning of stepping).
- **Automatically one-sided return type**
- **With a center tap on the incorporated pot.**
- **With hall IC type potentiometer incorporated**
Please note that if the hall IC potentiometer is used, there's no center short zone.

Standard and Special Specifications Available

■ Rating of Switch

■ 200FCW

Mark of switch			
A and D	Terminal	Intermediate	Terminal
B and E	Terminal	Intermediate	Terminal
C and F	Terminal	Intermediate	Terminal

Detailed description of the table content: The table shows three switch patterns (A and D, B and E, C and F) relative to Terminal, Intermediate, and Terminal positions. Pattern A and D: ON from Terminal to Abt. +3° before Intermediate, and ON from Abt. -3° after Intermediate to Terminal. Pattern B and E: ON from Terminal to Abt. +5° before Intermediate, and ON from Abt. -5° after Intermediate to Terminal. Pattern C and F: ON from Terminal to Abt. +8° before Intermediate, and ON from Abt. -8° after Intermediate to Terminal.

N.B. : Other ratings of switch are also available, which shows the character of "G" and please ask us for details.

Mark of switch and specifications

- ★A. B. C. : 12V D. C./1mA (Code-switch)
Life expectancy : Abt. 2,000,000 operations
- ★D. E. F. : 125V A. C./5A (Micro-switch)
Life expectancy : Abt. 200,000 operations

Note 1) : We will supply pedal with A version switch, unless specified.

2) : It is not available to combine more than 3 patterns from A,B,C or D,E,F.