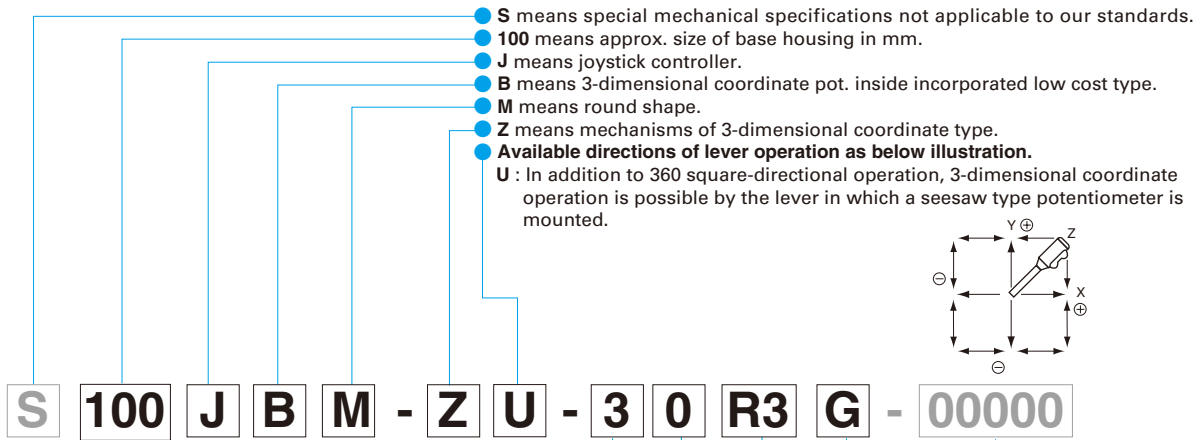


100JB

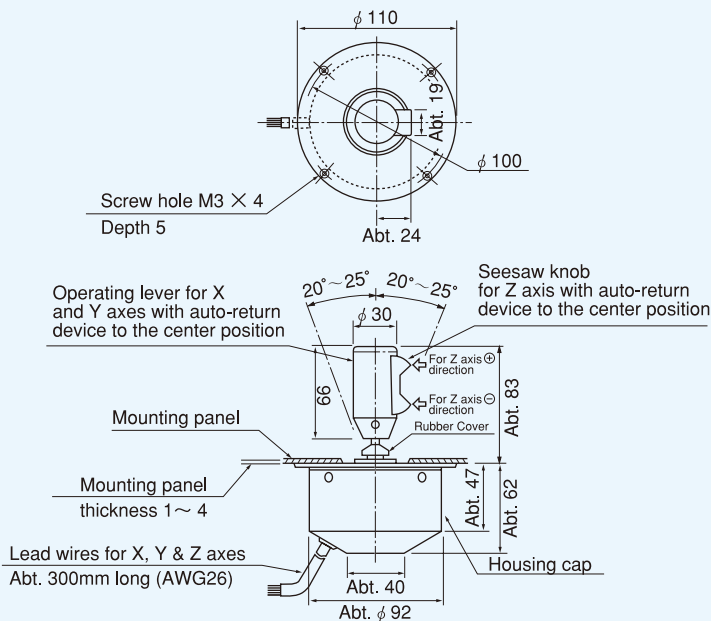
- Potentiometer incorporated type
- With conductive plastic element

Nomenclature

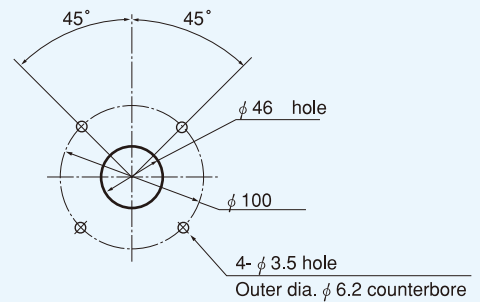


- Number of potentiometers to be mounted.** 3...3 potentiometers are incorporated.
- Number of switches to be mounted.** 0...no switch is incorporated.
- With spring return device** R3 : with spring return device for 3-dimensional coordinate type.
- Mounting accessories** G : with dust proof rubber cover.
- Special part number** In the case we produce customized product, we add 4-digit or 5-digit branch number.

Standard Dimensions



Panel Arrangements



Note : 4 pcs. of mounting screws (M3 \times 8) are attached.

(Unit : mm)



100JBM-ZU-30R3G
 (Standard
 3-dimensional coordinate type)

STANDARD SPECIFICATIONS

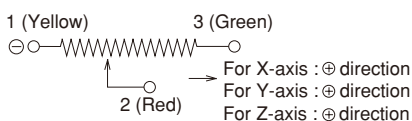
Mechanical Performance

Controlling range of operating lever	<ul style="list-style-type: none"> ● 2-dimensional coordinate type : Omni-directionally approx. $\pm 20^\circ \sim \pm 25^\circ$ operation from center position. ● 3-dimensional coordinate type : Approx. $\pm 15^\circ \sim \pm 19^\circ$ operation from the center position of the seesaw knob, in addition to the controlling range of 2-dimensional coordinate type.
Operating force	Standard spring return device : Automatically return to center.
X, Y directions	Approx. 0.8~2.3N (80~230gf.) [with 2 springs(with directive feeling)as standard version]
Z direction	Approx. 24~30mN·m (240~300gf·cm)
Operating temperature range	-20°C~+65°C
Vibration	10~55Hz 98m/s ²
Shock	294m/s ²
Life expectancy	Approx. 5,000,000 operations for X and Y axes. Approx. 2,000,000 operations for Z axis.
Mass	3-dimensional coordinate type : Approx. 410g

Electrical Performance

Potentiometers mounted	<ul style="list-style-type: none"> - For X and Y axes: SFPC22E, 10k$\Omega$$\pm$15%, 0.13W (conductive plastic resistive element) Independent linearity tolerance \pm3% Electrical rotating angle : Approx. 40° - For Z axis: Special potentiometer RMP30AY is exclusively used for seesaw knob 10k$\Omega$$\pm$15% 0.1W Independent linearity tolerance \pm3% Electrical rotating angle: Approx. 30°
Output smoothness	Below 0.2% against input voltage.
Contact resistance variation	Below 5% C.R.V.
Resolution	Essentially infinite
Dielectric strength	1 minute at 500V.A.C.
Insulation resistance	Over 1,000M Ω at 500V.D.C.

Terminal Connection Diagram



Note:1) Terminals shall be lead-wire terminals with approx. 300mm long.(AWG26)

Special Specifications Available

Please see page 55, a table of "Special Specifications Available".