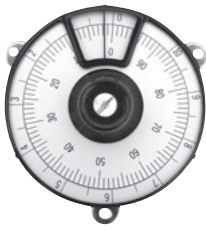


MODEL MA

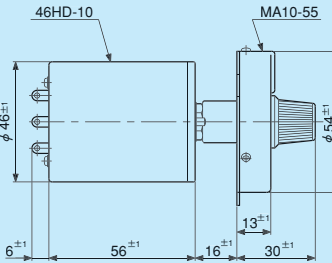
● Analog-Readout ● RoHS Compliant



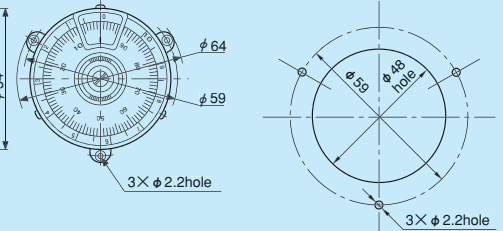
Model MA10-55

Standard Dimensions

Model MAn-55



Panel Arrangements



General Specifications

Model No	Number of Turns-Counting.	Matching Shaft Dia. (mm)		Combinable Helicalohm Pot. (Matching shaft length of 18.5mm)	Lock Device	Operating Temperature Range	Mass (Approx. g)
		Standard	Special				
MAn-55	3, 5, 10 15, 20	6	6.35	25HP 46HD	No	-55°C ~ + 105°C	90

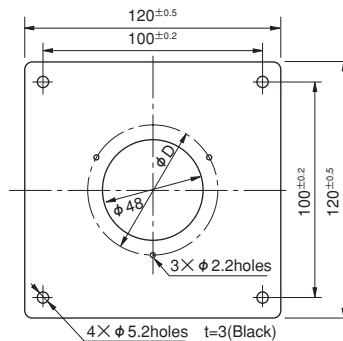
How to mount MA Series



Model **MA** Series counting dial has a special adaptor to mount on Helicalohm pot. and it requires a considerable skill or technique. If a dial is ordered together with our Helicalohm Potentiometer, these will be combined at **SAKAE** and will be supplied in one unit.

Standard Model Numbers

- Special graduations to your request.
- Acrylic resin cover fitted.
- Special mounting panel as shown on the right-hand drawing.



Model No.	D ± 0.1 (mm)
For MAn-55	59