

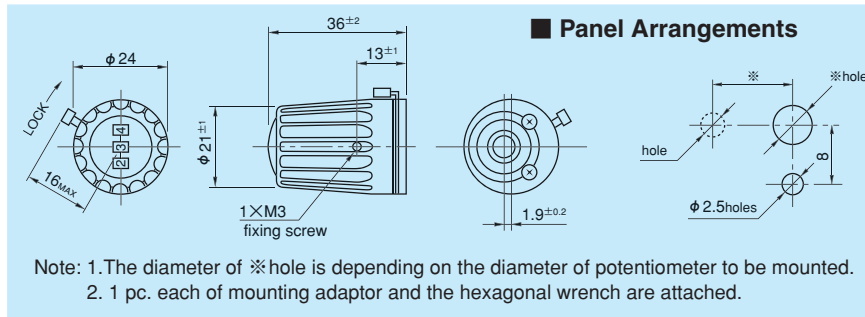
MODEL DA10-24B

● Digital-Readout ● RoHS Compliant



Model DA10-24B

● Standard Dimensions



● General Specifications

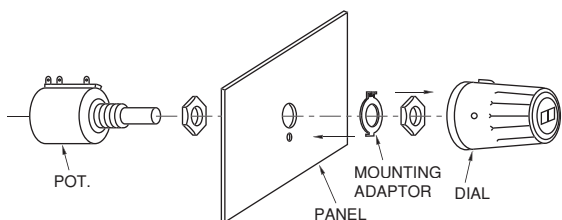
Model No	Number of Turns-Counting.	Matching Shaft Dia. (mm)		Combinable Helicalohm Pot. (Matching shaft length of 25mm)	Lock Device	Operating Temperature Range	Mass (Approx. g)
		Standard	Special				
DA10-24B	10	6	6.35	20HP 46HD 25HP 20HHP	YES	-30°C ~ +85°C	40

Note: 1. Standard color of knob is black.
2. In case of using the combination of model 46HD, please specify the shaft length of model 46HD as 25mm. (Standard shaft length of model 46HD is 28mm.)

● Special Specifications Available

- Knob in white color
- Specially marked in face plate such as with a decimal point, comma, etc.
- Without lock device

How to mount DA Series



The mounting adaptor of Model DA Series Digital Counting Dial and the Helicalohm pot. are fixed on the panel according to the illustration given the left. The shaft of the Helicalohm pot. is turned anticlockwise to its limit and is put into the mounting hole of the dial which is already set at "000". The shaft of the Helicalohm pot. is secured by the screw positioned at the knob of the dial with the attached hexagonal wrench. With this, the mounting is completed.

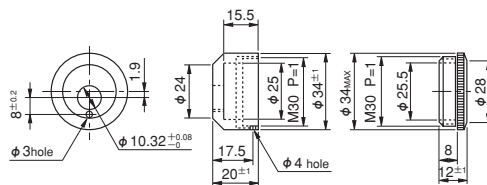
CAUTION:

Do not rotate the fixing screw over 180° with the hexagonal wrench when removing Helicalohm pot. from Model DA Series Digital Counting Dial. Otherwise, inner neighbouring plastic gear may be damaged.

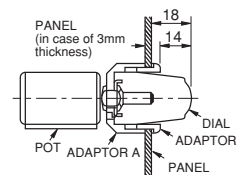
Implant Type Mounting Adaptor

The following 2 kinds of Implant Type Mounting Adaptors are also available as an option, which enables you to adjust its height. In this case, please place your order along with the mating potentiometer. We'll integrate the dial and the potentiometer and supply it as one unit.

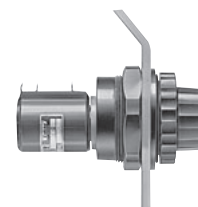
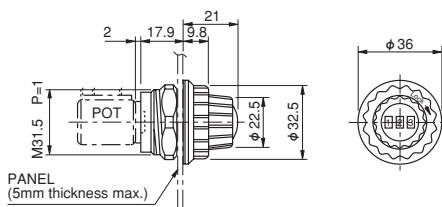
Adaptor A (without lock device)



How to mount



Adaptor B (with lock device)



Note: 1. 1 pc. each of mounting nut and rubber washer are attached.
2. The implant type mounting adaptors cannot be mounted on model 46HD.