

MODEL OF46HD

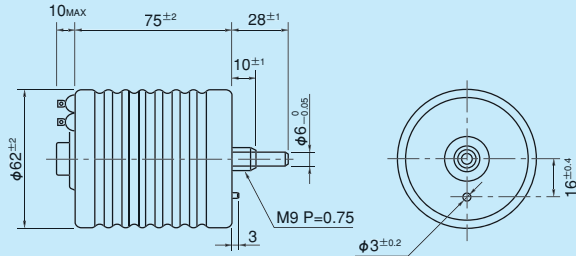
- Wirewound
- Bushingmount
- Servomount
- RoHS Compliant



Model OF46HD-10

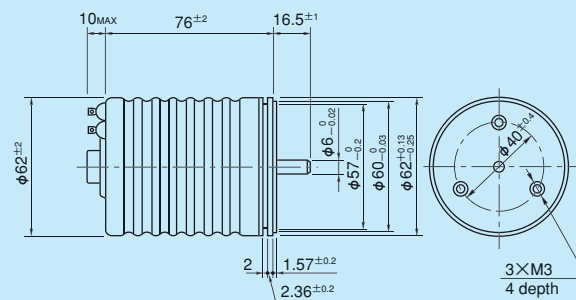
Standard Dimensions

Bushingmount Type



Note: 1 pc. inner teeth washer and 2 pcs. hex nuts are attached.

Servomount Type



Standard Model Numbers

Bushingmount type	
10-turn models	OF46HD-10
Servomount type	
10-turn models	OF46HDS-10

General Specifications

Standard Resistance Range	100Ω to 100kΩ
Max. Practical Resistance	200kΩ
Total Resistance Tolerance	Standard Class ±3% (H) (±5% (J) in case of within 1kΩ) Precision Class ±1% (F)
Independent Linearity Tolerance	Standard Class ±0.3% Precision Class ±0.1% (±0.15% in case of within 5kΩ)
Power Rating	5.0W

Noise	Within 100Ω E.N.R.
Electrical Travel	3,600° ±5°
Mechanical Travel	3,600° +10° σ
Insulation Resistance	Over 100MΩ at 1,000V.D.C.
Dielectric Strength	1 minute at 1,000V.A.C.
Starting Torque	Within 30mN · m (300gf · cm)
Stopper Strength	Approx. 0.9N · m (9kgf · cm)
Resistance Temperature Coefficient	±20p.p.m./°C
Mass	Approx. 290g

Standard Resistance Values ■ No. of Wire Turns ■ Resistance Wire Used

Resist. Value (Ω)	100	200	500	1k	2k	5k	10k	20k	50k	100k	※ 200k
No. of Wire Turns	2,500	3,180	4,350	5,400	6,850	6,660	8,550	10,850	14,900	18,850	24,390
Resist. Wire Used	Cu-Ni System					Ni-Cr System					

Note: Mark ※ shows special high resistance value.

Special Specifications Available

(In case of the potentiometer with special specifications, the general specifications and environmental specifications may change. Please consult us in advance.)

- Multi-ganged (Available up to 2 gangs. Please note that mounting method is changed from bushingmount to screw-mounting)
- With limit-switches
- 3-turn and 5-turn type (These housing lengths are the same as that of 10-turn type: 75 ± 2mm)
- Shaft dia. (φ 6.35mm) & bushing with inch dimension
- Special machining on the shaft
- Shaft with front and rear extension (Rear shaft with 6mm dia. and 28mm length.)