

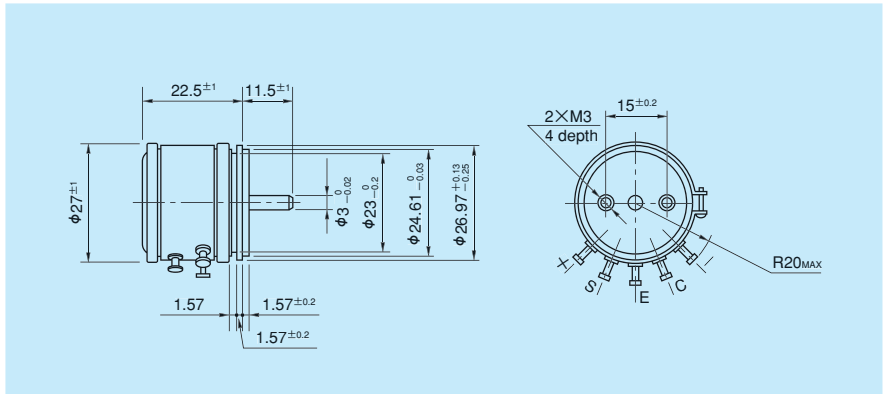
MODEL FSCB30A

- Conductive Plastic
- Servomount
- RoHS Compliant

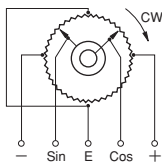
● Standard Dimensions



Model FSCB30A



● Terminal Connection Diagram



● General Specifications

Standard Resistance Values	1k, 2k, 5k, 10k (Ω)
Special Practical Resistance Values	500, 20k, 50k (Ω)
Total Resistance Tolerance	Standard Class ±15% (L) Precision Class ±10% (K)
Conformity Tolerance (Peak-Peak)	Standard Class ±1.0% Precision Class ±0.7%
Resolution	Essentially infinite
Output Smoothness	Within 0.1% against input voltage
Contact Resistance Variation	Within 8% C.R.V.

Power Rating	0.75W
Electrical Travel	360° (Endless)
Mechanical Travel	360° (Endless)
Insulation Resistance	Over 1,000MΩ at 500V.D.C.
Dielectric Strength	1 minute at 500V.A.C.
Starting Torque	Within 3mN · m (30gf · cm)
Resistance Temperature Coefficient	±400p.p.m./°C
Mass	Approx. 30g

● Special Specifications Available

(In case of the potentiometer with special specifications, the general specifications and environmental specifications may change. Please consult us in advance.)

- Multi-ganged (Available up to 3 gangs. Housing length is extended by 16mm per 1 gang)
- Shaft with front and rear extension (Rear shaft with 3mm dia. and 10mm length)
- Shaft dia. (φ 3.175mm) with inch dimension
- Special machining on the shaft

Non-linear ▶ Contact type ▶ Conductive plastic