

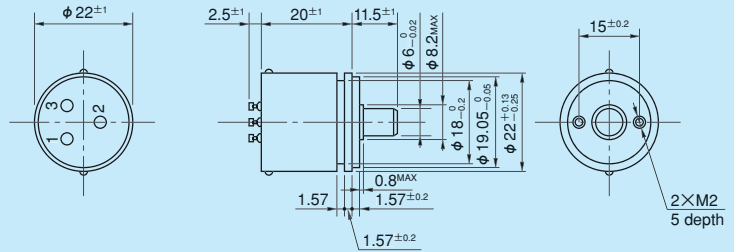
MODEL FCPS22AC

- Conductive Plastic
- Servomount
- Oilless Metal Bearings Incorporated
- Low-cost Item
- RoHS Compliant

● Standard Dimensions



Model FCPS22AC



● General Specifications

Standard Resistance Values	1k, 2k, 5k, 10k (Ω)
Special Practical Resistance Values	500, 20k, 50k, 100k (Ω)
Total Resistance Tolerance	Standard Class $\pm 15\%$ (L) Precision Class $\pm 10\%$ (K)
Independent Linearity Tolerance	Standard Class $\pm 1.0\%$ Precision Class $\pm 0.5\%$
Resolution	Essentially infinite
Output Smoothness	Within 0.1% against input voltage

Contact Resistance Variation	Within 2% C.R.V.
Power Rating	1.0W
Electrical Travel	$320^\circ \pm 5^\circ$
Mechanical Travel	360° (Endless)
Insulation Resistance	Over 1,000M Ω at 500V.D.C.
Dielectric Strength	1 minute at 500V.A.C.
Starting Torque	Within 5mN · m (50gf · cm)
Resistance Temperature Coefficient	± 400 p.p.m./ $^\circ\text{C}$
Mass	Approx. 20g

● Special Specifications Available

(In case of the potentiometer with special specifications, the general specifications and environmental specifications may change. Please consult us in advance.)

- Extra tap (Available up to 1 tap)
- Shaft with front and rear extension (Rear shaft with 3mm dia. and 20mm length)
- With stopper (Rotating angle is 320° and stopper strength is $0.9\text{N} \cdot \text{m}$ [9kgf · cm])
- Special electrical travel
- Shaft dia. ($\phi 6.35\text{mm}$)
- Special machining on the shaft
- With ball bearings incorporated

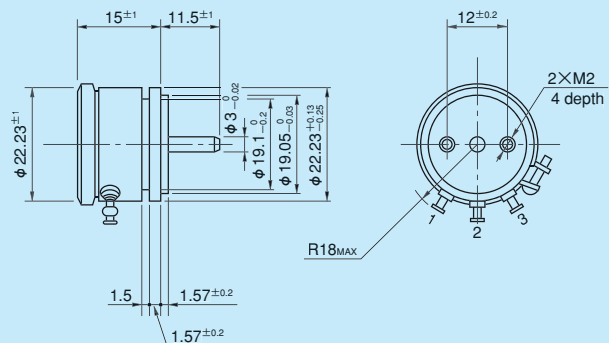
MODEL FCP22A

- Conductive Plastic
- Servomount
- RoHS Compliant

● Standard Dimensions



Model FCP22A



● General Specifications

Standard Resistance Values	1k, 2k, 5k, 10k (Ω)
Special Practical Resistance Values	500, 20k, 50k, 100k (Ω)
Total Resistance Tolerance	Standard Class ±10% (K)
Independent Linearity Tolerance	Standard Class ±1.0% Precision Class ±0.5% Super Precision Class ±0.25%
Resolution	Essentially infinite
Output Smoothness	Within 0.1% against input voltage

Contact Resistance Variation	Within 2% C.R.V.
Power Rating	1.0W
Electrical Travel	320° ±5°
Mechanical Travel	360° (Endless)
Insulation Resistance	Over 1,000MΩ at 1,000V.D.C.
Dielectric Strength	1 minute at 1,000V.A.C.
Starting Torque	Within 1.5mN · m (15gf · cm)
Resistance Temperature Coefficient	±400p.p.m./°C
Mass	Approx. 15g

● Special Specifications Available

(In case of the potentiometer with special specifications, the general specifications and environmental specifications may change. Please consult us in advance.)

- Extra tap (Available up to 1 tap)
- Multi-ganged (Available up to 5 gangs, Housing length is extended by 8.5mm per 1 gang)
- Shaft with front and rear extension (Rear shaft with 3mm dia. and 10mm length)
- With stopper (Rotating angle is 320° and stopper strength is 0.3N · m [3kgf · cm])
- Special electrical travel
- Shaft dia. (φ 3.175mm) with inch dimension
- Special machining on the shaft

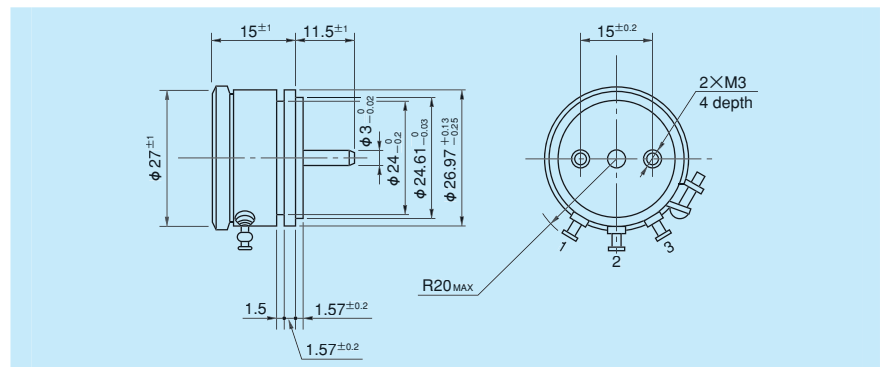
MODEL FCP30A

● Conductive Plastic ● Servomount ● RoHS Compliant



Model FCP30A

● Standard Dimensions



● General Specifications

Standard Resistance Values	1k, 2k, 5k, 10k (Ω)
Special Practical Resistance Values	500, 20k, 50k, 100k (Ω)
Total Resistance Tolerance	Standard Class ±10% (K)
Independent Linearity Tolerance	Standard Class ±1.0% Precision Class ±0.5% Super Precision Class ±0.2%
Resolution	Essentially infinite
Output Smoothness	Within 0.1% against input voltage

Contact Resistance Variation	Within 2% C.R.V.
Power Rating	1.5W
Electrical Travel	340° ±5°
Mechanical Travel	360° (Endless)
Insulation Resistance	Over 1,000MΩ at 1,000V.D.C.
Dielectric Strength	1 minute at 1,000V.A.C.
Starting Torque	Within 2mN · m (20gf · cm)
Resistance Temperature Coefficient	±400p.p.m./°C
Mass	Approx. 25g

● Special Specifications Available

(In case of the potentiometer with special specifications, the general specifications and environmental specifications may change. Please consult us in advance.)

- Extra tap (Available up to 1 tap)
- Multi-ganged (Available up to 5 gangs, Housing length is extended by 8.5mm per 1 gang)
- Shaft with front and rear extension (Rear shaft with 3mm dia. and 10mm length)
- With stopper (Rotating angle is 320° and stopper strength is 0.3N · m [3kgf · cm])
- Special electrical travel
- Shaft dia. (φ 3.175mm) with inch dimension
- Special machining on the shaft