

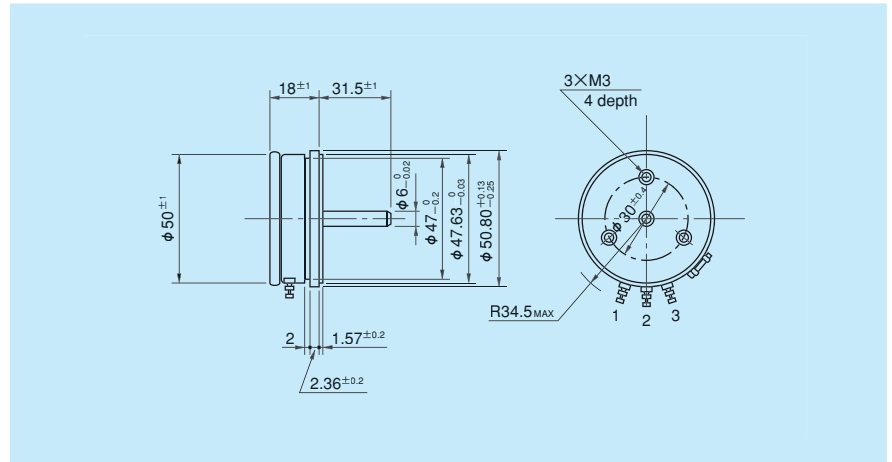
MODEL CP50

● Wirewound ● Servomount ● RoHS Compliant

● Standard Dimensions



Model CP50



1-Turn ▶ Contact type ▶ Wirewound

● General Specifications

Standard Resistance Range	50Ω to 20kΩ
Max. Practical Resistance Value	50kΩ
Total Resistance Tolerance	Standard Class ±3% (H) Precision Class ±1% (F)
Independent Linearity Tolerance	Standard Class ±0.5% Precision Class ±0.1% (±0.2% in case of within 2kΩ)
Power Rating	1.5W

Noise	Within 100Ω E.N.R.
Electrical Travel	355° ±3°
Mechanical Travel	360° (Endless)
Insulation Resistance	Over 1,000MΩ at 1,000V.D.C.
Dielectric Strength	1 minute at 1,000V.A.C.
Starting Torque	Within 5mN · m (50gf · cm)
Resistance Temperature Coefficient	±20p.p.m./°C
Mass	Approx. 75g

● Standard Resistance Values ■ No. of Wire Turns ■ Resistance Wire Used

Resist. Value (Ω)	50	100	200	500	1k	2k	5k	10k	20k	※ 50k
No. of Wire Turns	500	650	800	1,100	1,000	1,250	1,810	2,180	2,780	3,500
Resist. Wire Used	Cu-Ni System					Ni-Cr System				

Note: Mark※ shows special high resistance value.

● Special Specifications Available

(In case of the potentiometer with special specifications, the general specifications and environmental specifications may change. Please consult us in advance.)

- Lower resistance values (10Ω, 20Ω) ● Extra taps (Available up to 10 taps)
- Multi-ganged (Available up to 7 gangs. Housing length is extended by 12mm per 1 gang) ● Bushingmount type
- Shaft with front and rear extension (Rear shaft with 6mm dia. and 15mm length)
- Spring return device incorporated (Automatically returning to the zero position)
- With stopper (Rotating angle is 330° and stopper strength is 0.9N · m [9kgf · cm]) ● Special electrical travel
- Shaft dia. (φ 6.35mm) with inch dimension ● Special machining on the shaft