

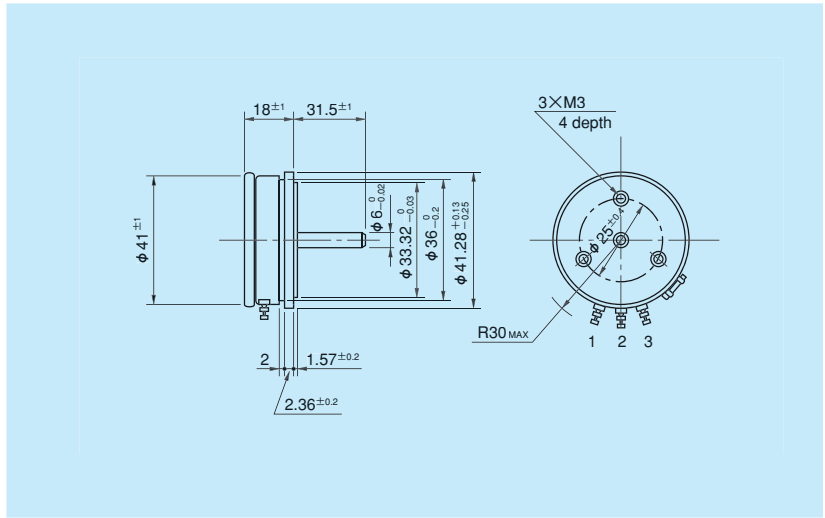
# MODEL CP45

● Wirewound ● Servomount ● RoHS Compliant

## ● Standard Dimensions



Model CP45



1-Turn ▶ Contact type ▶ Wirewound

## ● General Specifications

<b>Standard Resistance Range</b>	50Ω to 20kΩ
<b>Max. Practical Resistance Value</b>	50kΩ
<b>Total Resistance Tolerance</b>	Standard Class $\pm 3\%$ (H) Precision Class $\pm 1\%$ (F)
<b>Independent Linearity Tolerance</b>	Standard Class $\pm 0.5\%$ Precision Class $\pm 0.1\%$ ( $\pm 0.2\%$ in case of within 2kΩ)
<b>Power Rating</b>	1.0W

<b>Noise</b>	Within 100Ω E.N.R.
<b>Electrical Travel</b>	355° $\pm 3^\circ$
<b>Mechanical Travel</b>	360° (Endless)
<b>Insulation Resistance</b>	Over 1,000MΩ at 1,000V.D.C.
<b>Dielectric Strength</b>	1 minute at 1,000V.A.C.
<b>Starting Torque</b>	Within 4mN · m (40gf · cm)
<b>Resistance Temperature Coefficient</b>	$\pm 20$ p.p.m./°C
<b>Mass</b>	Approx. 55g

## ● Standard Resistance Values ■ No. of Wire Turns ■ Resistance Wire Used

Resist. Value (Ω)	50	100	200	500	1k	2k	5k	10k	20k	※ 50k
No. of Wire Turns	450	570	720	950	820	1,040	1,430	1,790	2,280	3,100
Resist. Wire Used	Cu-Ni System					Ni-Cr System				

Note: Mark※ shows special high resistance value.

## ● Special Specifications Available

(In case of the potentiometer with special specifications, the general specifications and environmental specifications may change. Please consult us in advance.)

- Lower resistance values (10Ω, 20Ω)      ● Extra taps (Available up to 5 taps)
- Multi-ganged (Available up to 7 gangs. Housing length is extended by 12mm per 1 gang)
- Shaft with front and rear extension (Rear shaft with 6mm dia. and 15mm length)
- Bushingmount type      ● With stopper (Rotating angle is 330° and stopper strength is 0.9N · m [9kgf · cm])
- Special electrical travel      ● Shaft dia. ( $\phi 6.35$ mm) with inch dimension      ● Special machining on the shaft