

MODEL 10HP

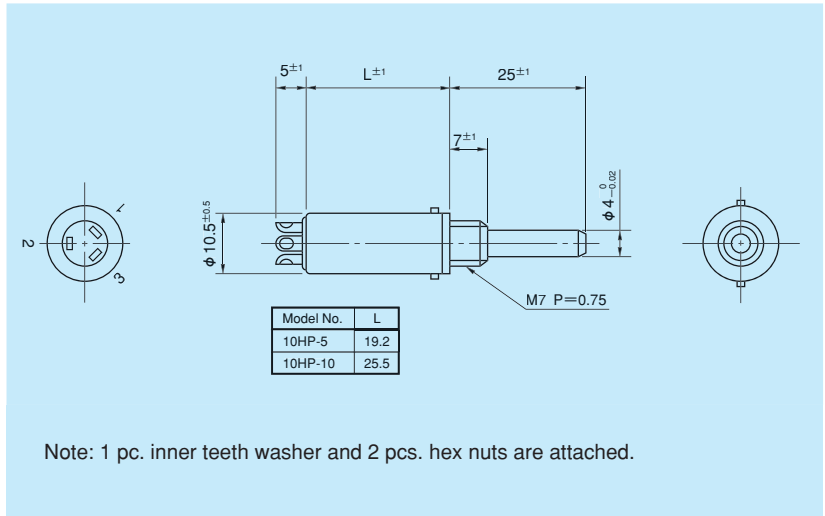
● Wirewound ● Bushingmount ● RoHS Compliant

● Standard Dimensions



Model 10HP-10

World's smallest 10-turn pot.



● Standard Model Numbers

5-turn models	10HP-5
10-turn models	10HP-10

● General Specifications

Standard Resistance Range	100Ω to 20kΩ (5-turn,10-turn)		
Max. Practical Resistance Value	50kΩ (5-turn, 10-turn) 100kΩ (10-turn)		
Total Resistance Tolerance	Standard Class ±3% (H) Precision Class ±1% (F)		
Independent Linearity Tolerance		5-turn	10-turn
	Standard Class	±0.35%	±0.25%
	Precision Class (Within 5kΩ)	±0.2% (±0.25%)	±0.1% (±0.15%)
Power Rating	0.5W (5-turn) 1.0W (10-turn)		
Noise	Within 100Ω E.N.R		

Electrical Travel	360° × n ±5° (n: No. of turns)
Mechanical Travel	360° × n + 30° ₀ (n: No. of turns)
Insulation Resistance	Over 100 MΩ at 500V.D.C.
Dielectric Strength	1 minute at 500V.A.C.
Starting Torque	Within 3mN · m (30gf · cm)
Stopper Strength	Approx. 0.1N · m (1kgf · cm)
Appropriate fastening torque of the nut	Within 1N · m (10kgf · cm)
Resistance Temperature Coefficient	±20p.p.m./°C
Mass	Approx. 10g (5-turn)
	Approx. 10g (10-turn)

● Standard Resistance Values ■ No. of Wire Turns ■ Resistance Wire Used

Resist. Value (Ω)	100	200	500	1k	2k	5k	10k	20k	50k	100k
10HP-5	750	620	830	1,050	1,330	1,820	2,300	2,940	※ 3,900	—
10HP-10	1,200	1,500	1,350	1,670	2,100	2,860	3,640	4,550	※ 6,250	※ 7,850
Resist. Wire Used	Cu-Ni System			Ni-Cr System						

Note: Mark ※ shows special high resistance value.

● Special Specifications Available

(In case of the potentiometer with special specifications, the general specifications and environmental specifications may change. Please consult us in advance.)

- 3-turn type (S10HP-3)
- Lower resistance values (20Ω, 50Ω)
- Shaft dia. (φ 3.175mm) & bushing with inch dimension
- Special machining on the shaft
- Shaft with front and rear extension (Rear shaft with 0.8mm dia. and 10mm length)