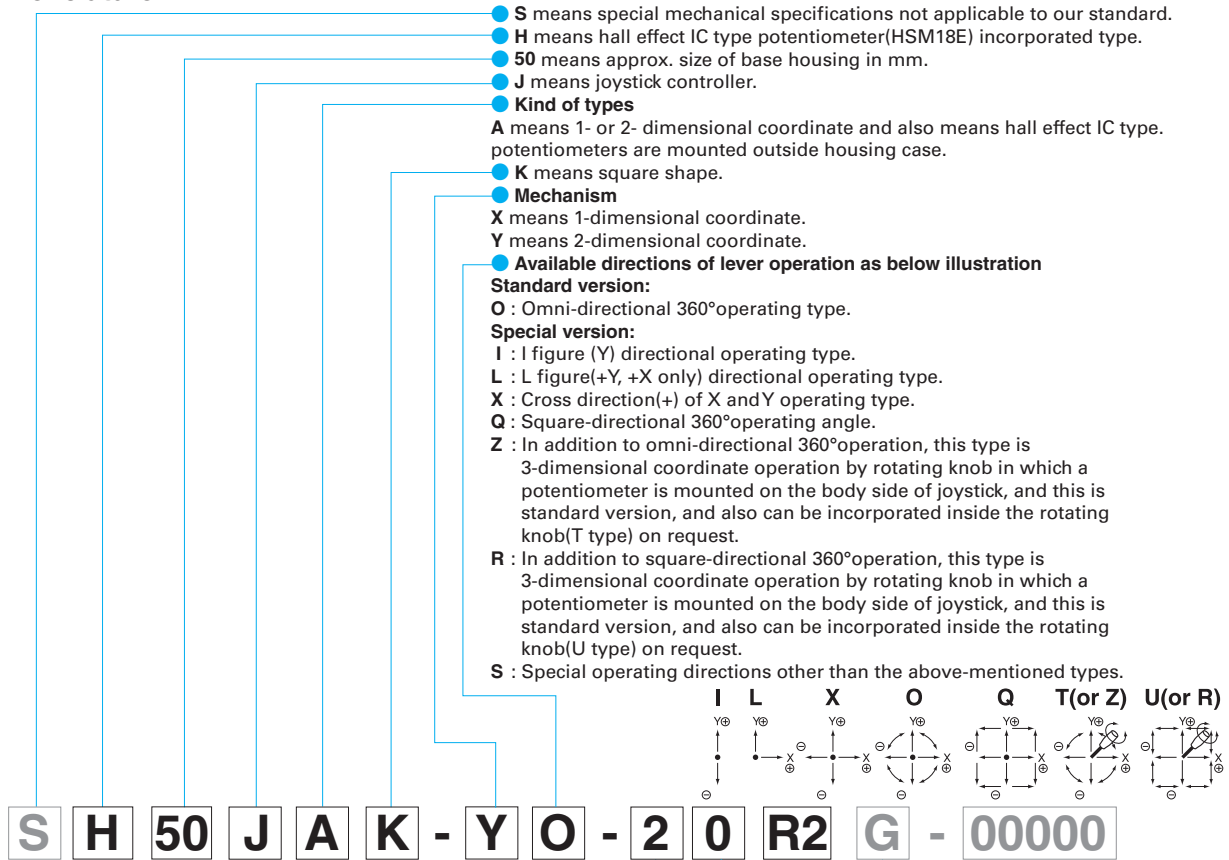


H50JA

● Potentiometer outside-mounted type ● With a hall effect IC

Nomenclature



Number of potentiometers to be incorporated

0...no potentiometer incorporated. 1...1 potentiometer incorporated.
2...2 potentiometers incorporated.

Number of switches to be incorporated

0...no switch incorporated. 1...1 switch incorporated. 2...2 switches incorporated.
3...3 switches incorporated. 4...4 switches incorporated.
5...5 switches incorporated. 6...6 and over 6 switches incorporated.
9...9 Other switches to your special request.

With spring return device:

R1: with spring return device for 1-dimensional coordinate.
R2: with spring return device for 2-dimensional coordinate.

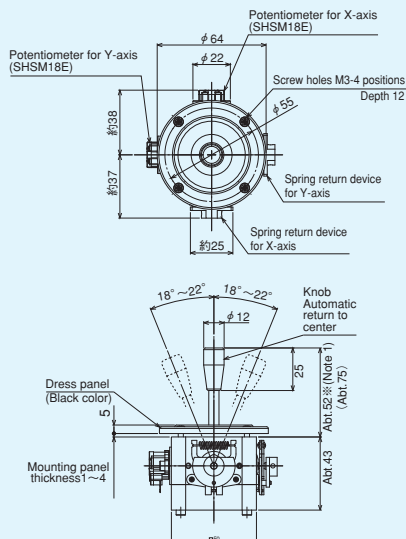
Mounting accessories:

G : with dust proof rubber cover. **P** : with sub-panel for mounting.

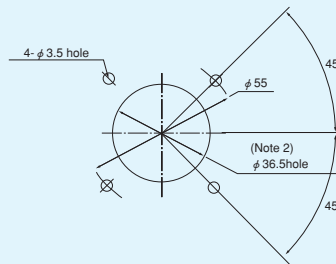
Special part number:

In case we produce customized product, we add 4-digit or 5-digit branch number.

Standard Dimensions



Panel Arrangements



Note 1: In case a dust-proof rubber cover is mounted, the shape of dress panel shall change. * Numerical in parentheses shows that of with a dust-proof rubber cover.

Note 2: In case of a dust-proof rubber cover is mounted, it is ϕ 44 hole.

Note 3: 4 pcs. of mounting screws(M3X14) are attached.

(Unit : mm)



H50JAK-YO-20R2
(Standard
2-dimensional coordinate type)

STANDARD SPECIFICATIONS

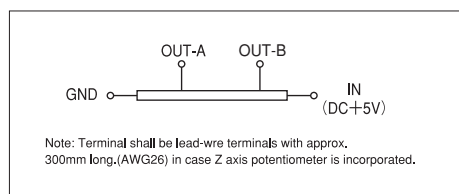
Mechanical Performance

Controlling range of operating lever	2-dimensional coordinate type. Omni-directionally approx. $\pm 18^\circ \sim \pm 22^\circ$ operation from center position.
Operating force	With spring return device with directive feeling. X and Y directions: Approx. 0.8 ~ 1.5N (80 ~ 150gf)
Operating temperature range	-20°C ~ +65°C
Vibration	10 ~ 55Hz 98m/s ²
Shock	294m/s ²
Mechanical life expectancy	Approx. 10,000,000 operations.
Mass	2-dimensional coordinate type: Approx. 280g

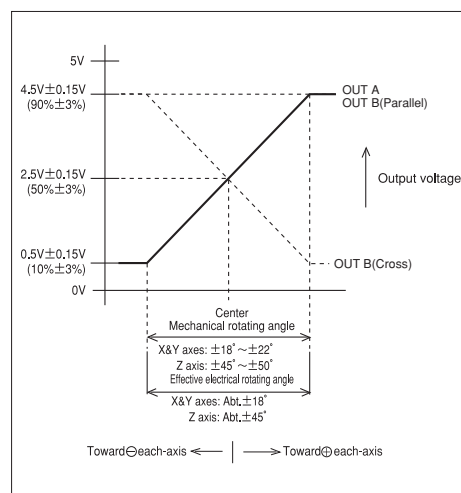
Electrical Performance

Hall effect IC type potentiometer (SHSM18E) mounted	Applied voltage: 5V $\pm 10\%$ D.C. Effective output: Approx. 0.5V ~ 4.5V Electrical rotating angle: Approx. $\pm 18^\circ$ Independent linearity tolerance: $\pm 3\%$ Load resistance: over 10K Ω
Resolution	Infinitesimal
Dielectric strength	1 minute at 250V.A.C.
Insulation resistance	Over 100M Ω at 250V.D.C.
EMS durability	100V/m (80MHz ~ 1GHz 1KHz sine-wave 80%AM modulation)
ESD durability	± 8 KV contact ± 15 KV aerial discharge (Based on IEC61000-4-2)

Terminal Connection Diagram



Output Characteristic



Special Specifications Available

Please see page 51, a table of "Standard and Special Specifications Available".

Regarding kind of output characteristic, dual cross output or dual parallel output instead of single output is also available.