

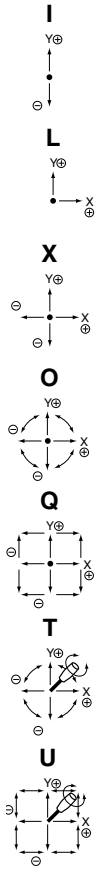
90JA · 90JB

Potentiometer with a conductive plastic resistive element

Nomenclature

S means special mechanical specifications not applicable to our standards.

- 90 means approx. size of base housing in mm.
- J means joystick controller.
- A means kind of type :
 - A : 1, 2 or 3-dimensional coordinate is available and also means Potentiometer outside-mounted type.
 - B : 1, 2 or 3-dimensional coordinate Potentiometer is incorporated inside the housing.
- M : means round type
- Y means kind of mechanism : X 1-dimensional coordinate. Y : 2-dimensional coordinate. Z : 3-dimensional coordinate. 4 and more numbers : Over 4-dimensional coordinate.
- Available directions of lever operation
 - Standard version:
 - O : Omni-directional 360° operating type.
 - Special version:
 - I : I figure (Y) directional operating type.
 - L : L figure(+Y, +X only) directional operating type.
 - X : Cross directional of X and Y operating type.
 - Q : Square-directional 360° operating angle.
 - T : In addition to omni-directional 360° operation, this type is 3-dimensional coordinate operation by rotating knob in which a potentiometer is incorporated.
 - U : In addition to square-directional 360° operation, this type is 3-dimensional coordinate operation by rotating knob in which a potentiometer is incorporated.
 - S : Special operating directions other than the above-mentioned types.



S 90 J A M - Y O - 2 0 R2 G - 0000

Number of potentiometers to be incorporated.

0...no potentiometer incorporated. 2...2 potentiometers incorporated.
1...1 potentiometer incorporated. 3...3 potentiometers incorporated.

Number of switches to be incorporated.

0...no switch incorporated. 1...1 switch incorporated. 2...2 switches incorporated.
3...3 switches incorporated. 4...4 switches incorporated. 5...5 switches incorporated.
6...6 and over 6 switches incorporated. 9...others.

With spring return device (90JA · JB standard) :

R1 : with spring return device for 1-dimensional coordinate.
R2 : with spring return device for 2-dimensional coordinate.
R3 : with spring return device for 3-dimensional coordinate.

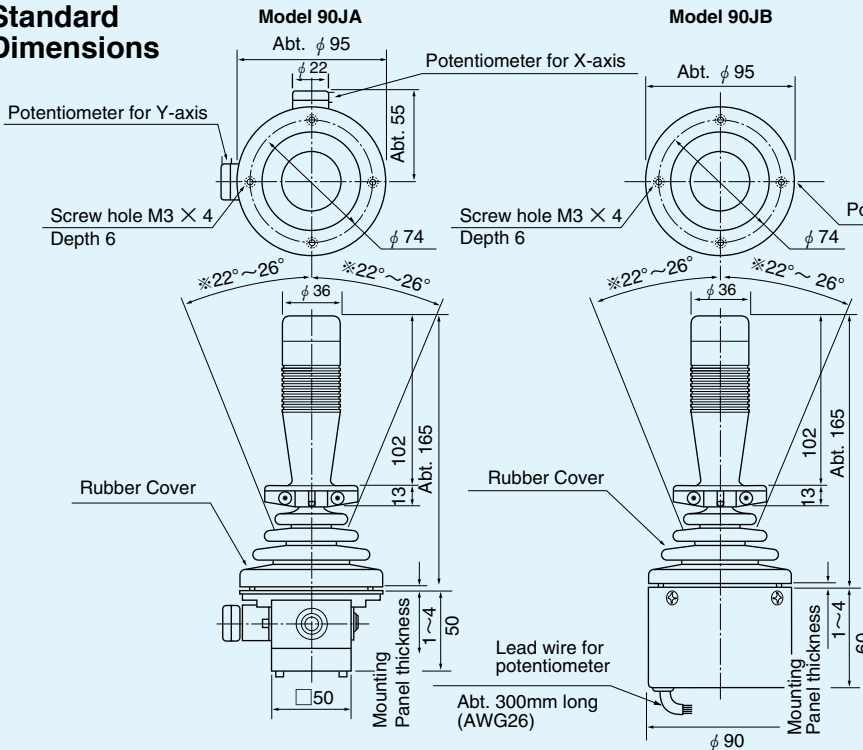
Mounting accessories :

G : with dust proof rubber cover.(90JA · JB standard) P : with sub-panel or mounting.

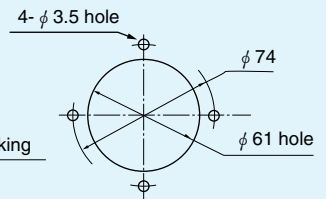
Special part number :

In case we produce customized product, we add 4-digit branch number.

Standard Dimensions



Panel Arrangements



- Note : 1) In case of Q and U type, the operating angle of mark “※” shall be $\pm 15^\circ \sim \pm 20^\circ$ from the center position, 360° square-direction.
2) 4 pcs. of mounting screw(M3 × 10) are attached.

(Unit : mm)

