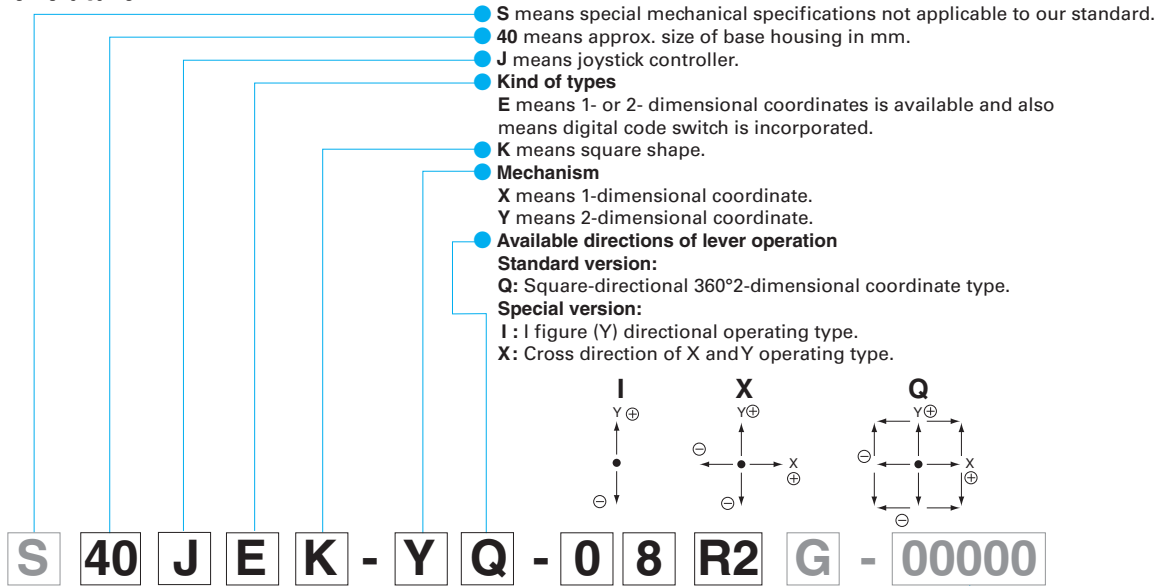


40JE

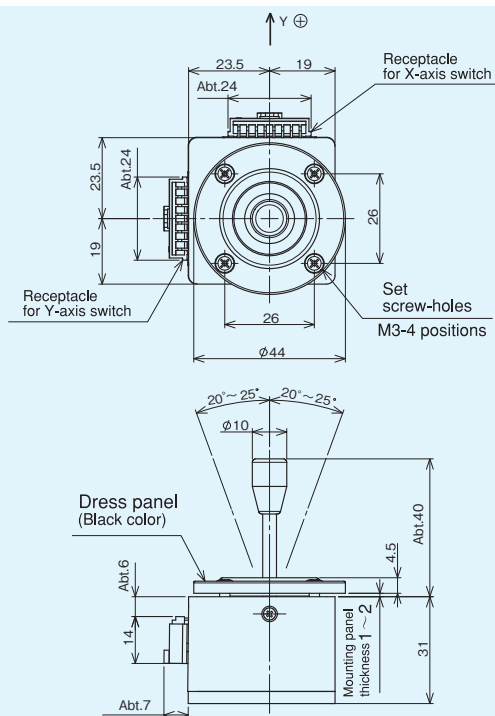
● Digital switch incorporated type

● Nomenclature

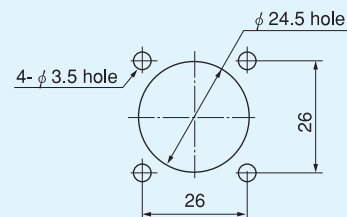


- Number of potentiometers to be incorporated.
 - 0...no potentiometer incorporated.(No.potentiometer function available)
- Number of switches to be incorporated.
 - 7...4bit Gray Digital code switch incorporated.
 - 8...4bit Binary Digital code switch incorporated.
 - 75...5bit Gray Digital code switch incorporated.
- With spring return device :
 - R1: with spring return device for 1-dimensional coordinate.
 - R2: with spring return device for 2-dimensional coordinate.
- Mounting accessories :
 - G : with dust proof rubber cover.
 - P : with sub-panel for mounting.
- Special part number :
 - In case we produce customized products, we add 4 or 5-digit branch number.

● Standard Dimensions



■ Panel Arrangements



Note : 4 pcs. of mounting screw (M3 × 8) are attached.

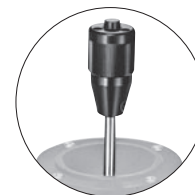
(Unit : mm)



40JEK-YQ-07R2(4 bit gray code)
40JEK-YQ-08R2(4 bit binary code)
40JEK-YQ-075R2(5 bit gray code)
(Standard 2-dimensional coordinate type)



40JEK-YQ-07R2G(4 bit gray code)
40JEK-YQ-08R2G(4 bit binary code)
40JEK-YQ-075R2G(5 bit gray code)
(2-dimensional coordinate type with dust-proof rubber cover)



Knob 101

Special Knobs Available
For detailed dimensions, please refer to page 52.

STANDARD SPECIFICATIONS

Mechanical Performance

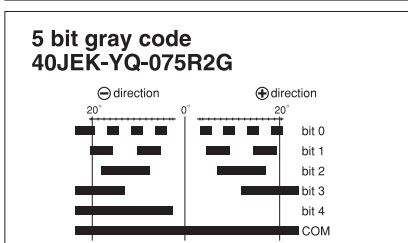
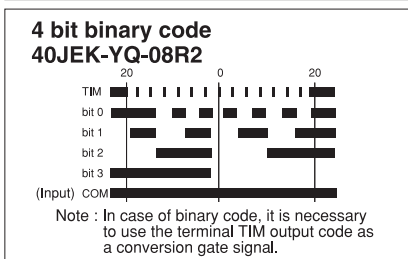
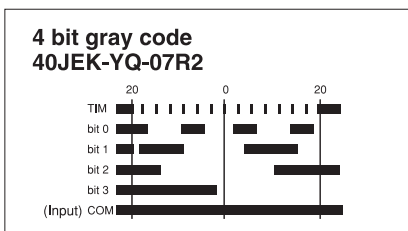
Controlling range of operating lever	2-dimensional coordinate type : 360° and square-directionally approx. ±20°~±25° operation from center position.
Operating Force	Standard spring return device (Automatically return to center) : Approx. 1.6~3N (160~300gf)
Operating temperature range	-20°C~+65°C
Vibration	10~55Hz 98m/s ²
Shock	294m/s ²
Life expectancy	Approx. 5,000,000 operations.
Mass	Approx. 180g

Electrical Performance

Switches used	Rating 12V.D.C. below 1mA
Contact resistance	Below 300mΩ
Dielectric strength	1 minute at 500V.A.C.
Insulation resistance	Over 100MΩ at 250 V.D.C.

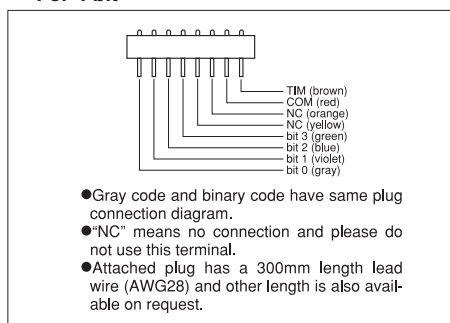
Pattern of Digital Code Switch

When ordering, please specify on which you require gray code or binary code.

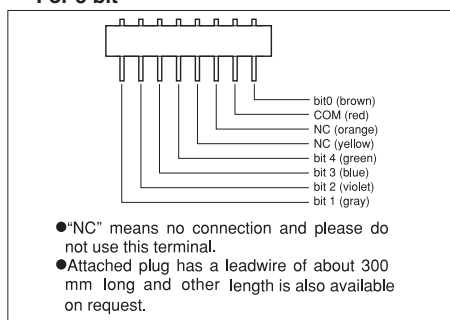


Plug Connection Diagram

For 4 bit



For 5 bit



Special Specifications Available

Please see page 51, a table of "Standard and Special Specifications Available".