

# 200FCA

● With conductive plastic element

## ● Nomenclature

**S 200 FCA - 1 0 A - 00000**

● **S**  
S means special mechanical specifications not applicable to our standard.

● **200**  
200 means approx. size of base housing in mm.

● **FCA**  
FC means Foot Controller, A means long pedal type.

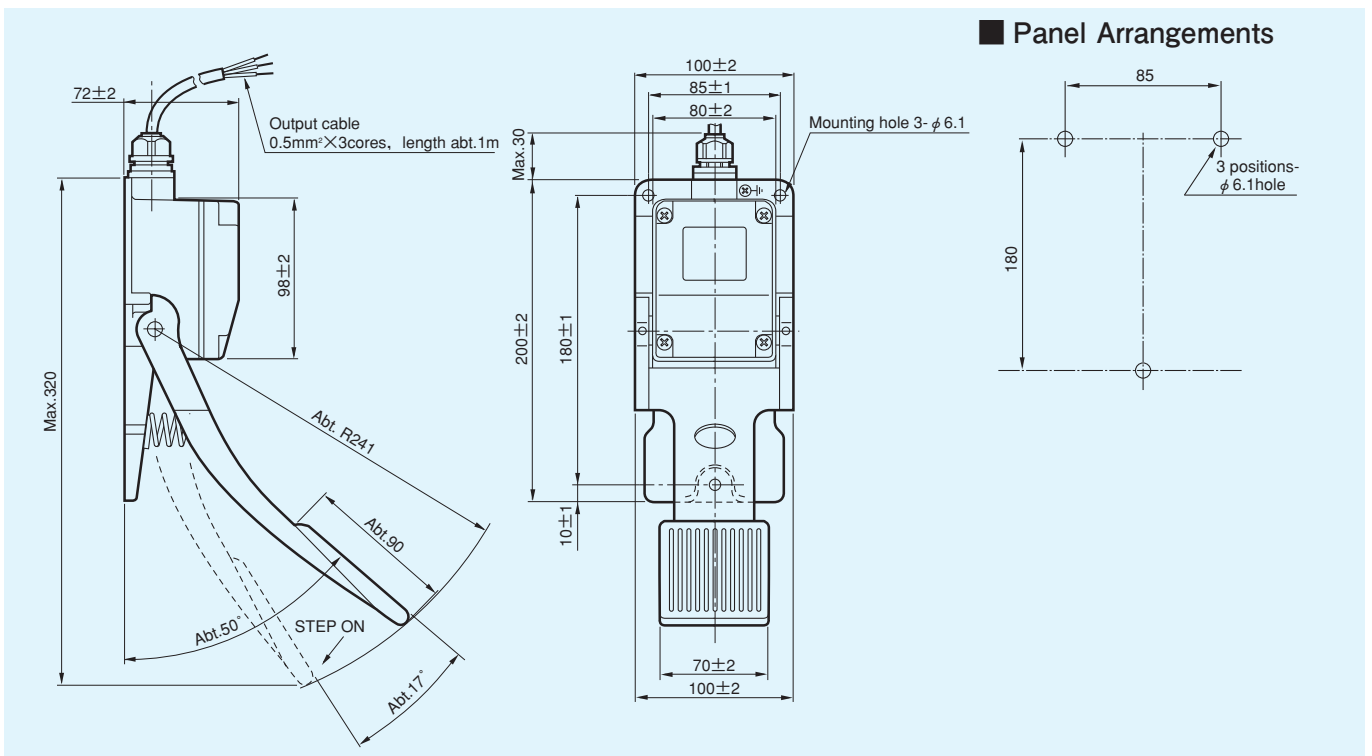
● **Special part number** :  
In case we produce customized product, we add 4-digit or 5-digit branch number.

● **0 ① Number of switches to be incorporated (Option).**  
0...No switch incorporated.  
1...1 switch incorporated.  
2...2 switches incorporated.

● **A ② Rating of switch** : A. B. C. ...Code-switch  
D. E. F. ...Micro-switch  
(For details, please refer to page 62)  
G...other switch

● **1 Number of potentiometers to be incorporated**  
0...No potentiometer incorporated.  
1...1 potentiometer incorporated.  
2...2 potentiometers incorporated (Option).

## ● Standard Dimensions





**200FCA-10**  
(standard)

## STANDARD SPECIFICATIONS

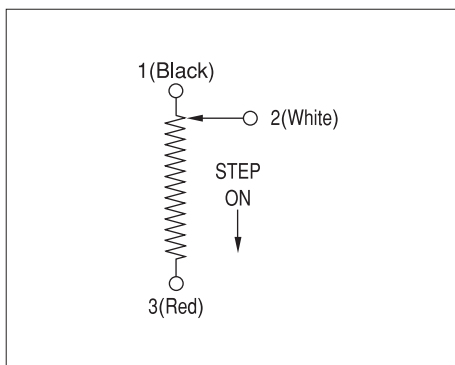
### Mechanical Performance

<b>Operating method</b>	Stepping pedal type.
<b>Operating angle</b>	Approx.17°.
<b>Operating force</b>	Standard spring return device : Automatically return to center. Abt. 10N ~ 22N(Abt. 1,000gf. ~ 2,200gf)
<b>Operating temperature range</b>	-20°C~+65°C
<b>Vibration</b>	10~55Hz 98m/s <sup>2</sup>
<b>Shock</b>	294m/s <sup>2</sup>
<b>Life expectancy</b>	Approx.2,000,000 operations.
<b>Mass</b>	Approx.1.2kg

### Electrical Performance

<b>Potentiometer incorporated</b>	SFCP22E,10kΩ ±20%,0.3W, independent linearity tolerance±3%(conductive plastic resistance element)
<b>Electrical rotating angle</b>	Approx. 70°
<b>Output smoothness</b>	Below 0.2% against input voltage
<b>Contact resistance variation</b>	Below 5% C.R.V.
<b>Resolution</b>	Essentially infinite
<b>Dielectric strength</b>	1 minute at 500VA.C.
<b>Insulation resistance</b>	Over 1,000MΩ at 500V D.C.

### Terminal Connection Diagram



### Special Specifications Available

- **With switch incorporated**  
Regarding rating of switch, please see page 62.  
If you require pedal with one switch, unless specified, we supply the pedal with A version switch (code-switch with "ON" operation at about 3° from the beginning of stepping).
- **With hall IC type potentiometer incorporated**